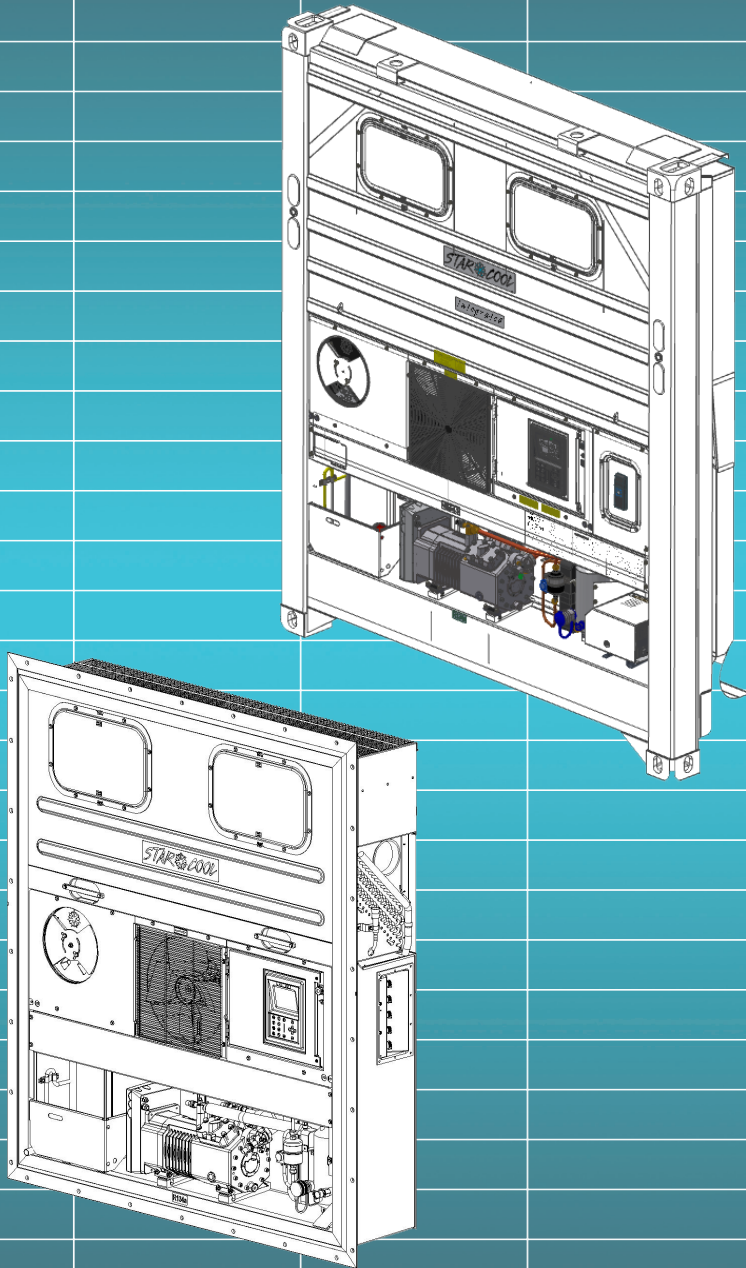


# Spare Part Catalogue

Star Cool refrigeration unit Model SC – MCI40, SCU and SCI





## Introduction

The Star Cool reefer machine incorporates innovative features compared to the traditional equipment in the market. These features include electronically controlled expansion valves, economizer, frequency converter and a very user friendly control panel. All of the features contribute to a better performance and makes the Star Cool reefer machine more efficient and economical in use.

Our engineers constantly work on improving the reefer machine and as the design changes new spare parts will be added. This is why some of the components in this catalogue are shown in different versions - when ordering a spare part, make sure to compare the original part to the part shown in the drawings. Spare parts added after printing of this catalogue will be shown on Star Cool e-Sales.

Please note:

- Star Cool Picture Frame Unit: SCU
- Star Cool Integrated: SCI
- Controlled Atmosphere: CA/AV+

Furthermore, please also note an indentation indicates that the item is included in above mentioned item, but can also be ordered separately.

If in doubt how to order Star Cool spare parts, refer to the chapter concerning this subject.

Use only genuine Star Cool spare parts. This will ensure a long and reliable life time for your reefer machines.

In case of technical problems the Star Cool service team will be at your disposal. We can be reached 24 hours a day on [service@starcool.com](mailto:service@starcool.com) or phone: +45 73 64 35 00

**STAR\*COOL**

Bjerndrupvej 47, 6360 Tinglev, Denmark  
 Phone: +45 73 64 34 00  
 Fax.: +45 73 64 35 69  
 E-mail: [starcool@starcool.com](mailto:starcool@starcool.com)  
[www.mcicontainers.com](http://www.mcicontainers.com)

## Table of contents

<b>Index</b>	Page 3
<b>Where to find</b>	Page 6
<b>1.0 Front module</b>	Page 8
Cover plate for condenser coil and for air exchange.	
<b>2.0 Condenser module</b>	Page 9
Controller section, condenser fan section, condenser section, valves and economizer section, receiver section, compressor section, frequency converter section.	
<b>3.0 Unit frame module</b>	Page 18
Inspection cover, air exchange section, various mounting.	
<b>4.0 Evaporator module</b>	Page 21
Evaporator fan section, evaporator section, back plate section	
<b>5.0 Controlled atmosphere</b>	Page 25
<b>6.0 Dual voltage</b>	Page 26
<b>9.0 Consumable parts</b>	Page 27
<b>9.5 Container box parts for SCI</b>	Page 27
<b>9.7 Container box parts for SCU</b>	Page 27
<b>Guideline: Order procedure</b>	Page 28



Item	Page	Item no.
2 pin X3/12/13/14/15/20	13,25	818770A
2 pin X1	13,25	818778A
3 pin X6/7/8/9	13,25	818771A
4 pin X26/27	13	818776A
4 pin X4	13,25	818772A
5 pin connector (3.81mm/0o)	13	818777A
5 pin X10/11	13	818773A
6 pin X16/17/18/19/22/23	13	818774A
10 pin X24/25	13	818775A
Air exchange damper, assembly	19	818250C
Air ex. module, camshaft	19	815704B
Air ex. module, complete	19	818270B
Air ex. module, front, 75 CMH	19	818274B
Air ex. motor (CA/AV)	13,19,25,26	818275A
Air exchange sensor	11,13,19	818276A
Air ex. sensor bracket	19	815206B
Auxiliary contact	13	818911A
Auxiliary contact (white dot)	11,13	818522B
Auxiliary contact, Schneider	13	818931A
Back plate, evaporator	24	811204B
Back plate, evaporator	24	811204C
Back plate, evap (SCI 9'6")	23	811204D
Back plate, evap (SCI 8'6")	23	811204E
Batt. pack CIM5	11	818536B
Batt. pack, rechargeable CIM6	13	818536C
Bearing bush, crankcase side	17	818856A
Bearing bush	17	818857A
Bolt, compressor stop valve	17	818655B
Bolt kit for cylinder head	17	818612A
Bolt, service valve LP	17	818660B
CA flushing, damper	27	818251B
CA membrane module, complete	25	815242A
CA System Instalation Kit	27	818300A
CA System Instalation Kit, BasiCA	27	818300B
Cable cutter	20	815519B
Cable cutter, 18mm	20	815519E
Cable gland, M12	21	819572B
Cable gland, M16	18	819672B
Cable gland, M20	9,11,13,18	818665B
Cable gland, M25	13	818666B
Cable gland, M32	22	819650B
Cable gland, M40	13	818664B
Cable set, internal CIM5	11	818461B
Cable set, internal CIM6	13	818461C
Cable set, X1 - X2 - X3 CIM5	11	818561B
Cable, air ex. motor (CA/AV)	13,25,26	818754A
Cable, air exchange sensor	11,13	818572B
Cable, data retrieval	11,13,27	818575A
Cable, data retrieval USB	11,13,27	818575D
Cable, CA controller module	13	818465A
Cable, FC communication	11,13	818566B
Cable, FC power	11,13	818565B
Cable, humidity sensor CIM5	11	818563A
Cable, humidity sensor CIM6	13	818563B
Cable, p. transmitter (AKS)	11,13	818564A
Cable, p. transmitter (NSK)	11,13,25	818564B

Item	Page	Item no.
Cable set, complete, CIM6	13	818360C
Cable, solenoid coil	13	818760A
Cable, vacuum pump motor	13,25	818752A
Cap, compressor stop valve	17	818630B
Cap, evacuation valve, HP	17	818632B
Cap, evacuation valve, LP	17	818631B
Cap, service valve, LP	17	818629B
Cap, stop valve, receiver	15	818619A
CEE Power splitter, 2x16 Amp	27	818290A
Check valve	17	818864A
Compressor	17	818658B
Compressor crankshaft	17	818854A
Compressor cylinder liner	17	818851A
Compressor end housing, kit	17	818334A
Compressor gaskets, complete	17	818872A
Compressor Piston LP, Complete	17	818849A
Compressor Piston HP, Complete	17	818850A
Compressor oil, BSE55	17	818667B
Compressor oil pump, complete	17	818869A
Compressor, Reman.	17	864658B
Compressor stop valve	17	819750B
Compressor valve plate, HP	17	818602B
Compressor valve plate, LP	17	818601B
Condenser coil	14	819526B
Condenser Fan Motor Support	9	818795A
Condenser frame, round	9	814201B
Cond. frame, square (L=1625 mm)	9	814201C
Cond. frame, square (L=1701 mm)	9	814201D
Connector plug, solenoid coil	11,13,14	818761A
Contact, Danfoss	11,13	818521B
Contact, Schneider	13	818930A
Contact clip kit (10 pcs.)	11,13	818269A
Controller box CIM6	13	818305C
Controller CIM6.1, Rebuild	13	868510E
Controllerbox frame	13	814237A
Controller door, CIM5	11	818310B
Controller door, CIM6	13	818310C
Controller door, complete CIM5	11	818320B
Controller module (CA)	13,25	818512A
Controller module CIM5	11	818255C
Controller module CIM6	13,25	818925A
Coupling WCC, female	27	819536C
Coupling WCC, male (SC only)	27	819537C
Coupling WCC, male	27	819545B
Cover foil, LED CIM5	11	818542B
Cover foil, LED CIM6	13	818542C
Cover foil, On/Off PCB CIM5	11	818544B
Cover plate, air ex. (L=594 mm)	8	815208B
Cover plate, air ex. (L=610 mm)	8	815208C
Cover plate, air ex. (L=610 mm)	8	815208E
Cover plate, air ex. (SCI)	8	815208D
Cover plate, cond. (L=1715mm)	8	815209B
Cover plate, cond. (L=1751mm)	8	815209C
Cover plate, cond. (SCI) (L=2100mm)	8	815209D
Cover plate, back	24	815514B
Cover plate, back	24	815514C



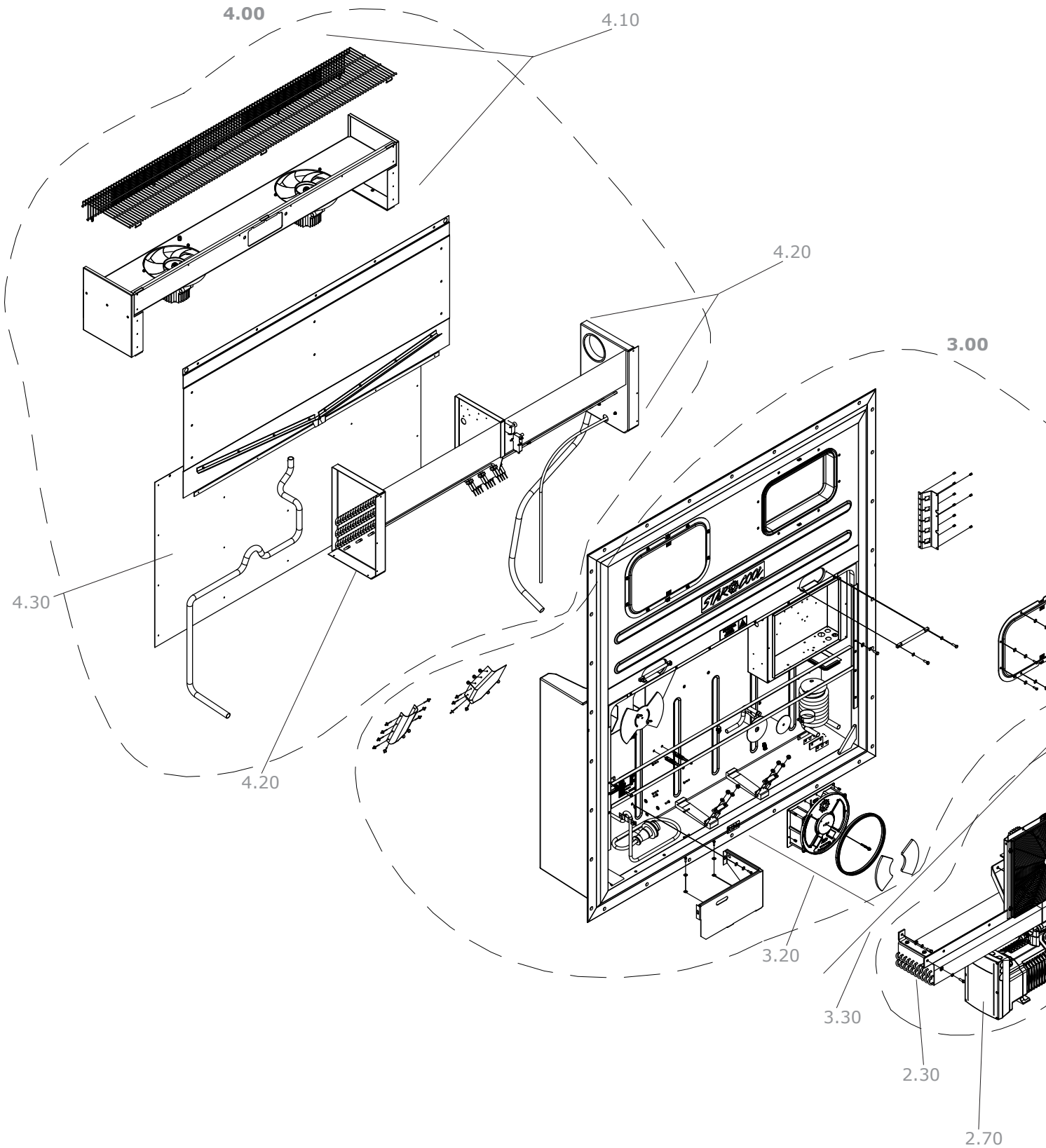
Item	Page	Item no.
Cover plate, back (SCI 9'6" )	23	815514D
Cover plate, back (SCI 8'6")	23	815514E
Cover, controller door CIM5	11	814673B
Cover, PVC	22	811550B
Cover plate for controller	20	815506B
Cover plate for controller, RCM	20	815506E
Cross rod, comp. mounting	20	815546B
Curtain kit, CA, incl. tools (Box of 10)	25,27	818285A
Curtain kit, CA, excl. tools (Box of 15)	25,27	818286A
Cust. seal grill air ex., left	20	813566B
Cust. seal grill air ex., right	20	813565B
Cylinder head gasket kit	17	818605B
Cylinder head, HP with gasket	17	818611B
Cylinder head, LP with gasket	17	818610B
Decal, controller menu CIM5	8	815588B
Decal, controller menu CIM6	8	815588C
Decal, discon. before welding	11,13	815578B
Decal, electrical diagram CA	13,25	815589D
Decal, electrical diagram CIM5	11	815589B
Decal, electrical diagram CIM6	13	815589C
Decal, Fan rotation direction	9	815595B
Decal, fan starts automatically	20	815570B
Decal, PTI stickers	8	815573B
Decal, R134a	20	815572B
Decal, Star Cool	20	815586B
Decal, USDA sensor placement	23,24	815590B
Decal, warning high voltage	11,13	815575B
Decal, warning hot components	8	815571B
Decal, Wiring Schematic, CA	13	815589G
Defrost heater, evaporator	22	811523B
Defrost heater, tray	24	811522B
Display PCB CIM5	11	818515A
Drain gutter, right	23,24	811517B
Drain gutter, left	23,24	811518B
Drain hose	24	815566B
Drain hose	23	815566C
Drain plug, container	25,27	818800A
Drying filter (box of 12 pcs)	15	819506A
Dual Voltage Transformer 15kVA	26	815255A
Economizer	14	814667B
EPDM Curtain Track	27	7802009A
EPDM hinge	27	7814585B
Evacuation valve, HP	17	818626B
Evacuation valve, HP (male without schröder)	17	818626C
Evacuation valve, LP	17	818625B
Evaporator coil	22	811524C
Expansion valve, economizer	14	819737D
Expansion valve, evaporator	14	819738D
Fan blade, condenser	9	819543B
Fan blade, evaporator	21	819542C
Fan grill, cond., round	9	814541B
Fan grill, cond., square	9	814541C
Fan grill, evaporator	21	811506B
Fan grill, evaporator (SCI)	21	811506C
FC Dual Compartment	18	818950A
FC, dual compartment kit	18	818241D

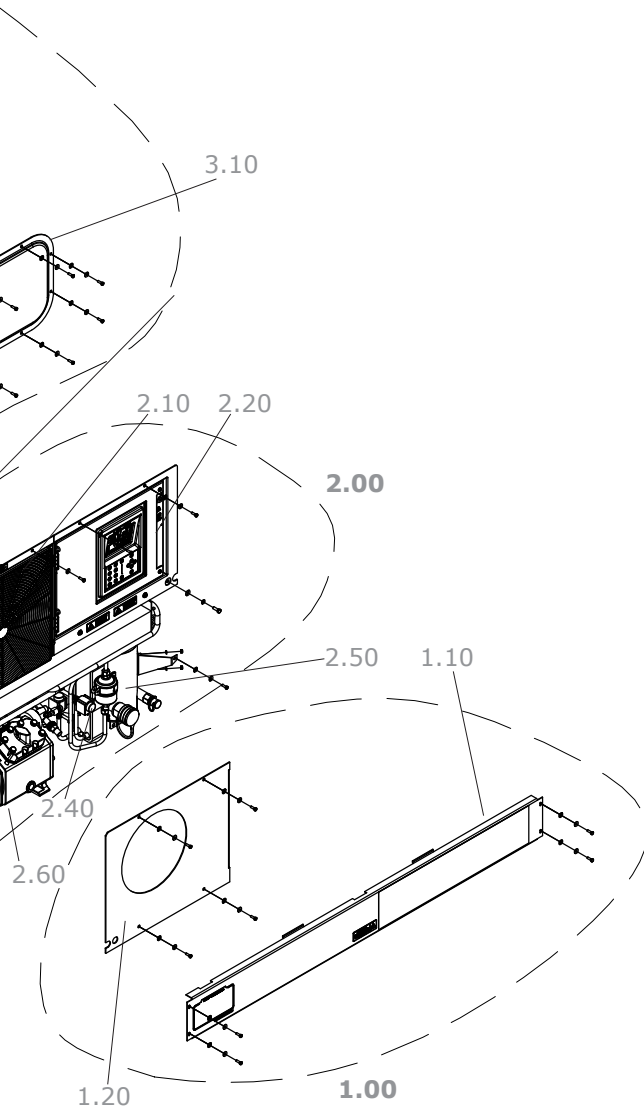
Item	Page	Item no.
FC, main power 3-pin connector	18	818766A
Filter mounting ring	15	814538B
Filter, Ethylene (box of 9 pcs.)	27	818805B
Flange, Suction Service Valve	17	815559B
Front baffle plate, SCI	27	7231327
Front baffle plate, SCU	27	7231325
Front baffle retainer, SCI	27	7572200B
Front baffle retainer, SCU	27	7572203B
Fuse, 0.4 A (box of 10 pcs.) CIM6	13	818531A
Fuse, 0.63 A (box of 10 pcs.) CIM5	11	818546B
Fuse, 6.3 A (box of 10 pcs.) CIM5	11	818545B
Fuse, 10 A (box of 10 pcs.) CIM5	11	818530A
Fuse holder, 0.4 A	13	818534A
Gasket, compressor 410mm	17	819552B
Gasket, compressor oil plug	17	818636B
Gasket, compressor stop valve	17	818656B
Gasket, O-ring, compressor	17	819550B
Gasket, service valve, LP	17	818661B
Gasket, Suction Service Valve	17	815558B
Heating element	25	818538A
High pressure switch	11,13,17	819501A
Hinge part CIM6	13	814642C
Hinge part 1	11	814642B
Hinge part 2	11,18	814643B
Hinge part, inspection cover	18	815534B
Hinge pin	11,13,18	814644B
Hose connector	25	819877A
Hot gas valve CIM 5	14	819740B
Hot gas valve	14	819740C
Hot gas valve, service kit	14	818675B
Humidity sensor CIM5	11	818551A
Humidity sensor CIM6	13	818551B
Inlet ring, evaporator fan	21	811215B
Insect mesh, air exchange	19	815553B
Inspection cover, complete	18	815210B
Inspection cover, complete	18	815210C
Insulation, economizer	14	814571B
Interlock, contactor	11,13	818523B
Interlock, Schneider	13	818932A
Keypad CIM5	11	818527B
LED PCB CIM5	11	818517A
Liquid charging valve, receiver	15	819747B
Magnehelic Manometer	27	818822A
Main circuit breaker CIM5	11	818520A
Main circuit breaker CIM6	13	818908A
Melt fuse kit	15	818236B
Motor bracket, evap. fan	21	811537D
Motor cable, FC and compressor	17,18	814247C
Motor cable, adapter kit	9,11,13,21,25	818202A
Motor, condenser fan	9	819590C
Motor, condenser, Zhongda	9	818792A
Motor, evaporator fan	21	819589C
Mount plate top, evap. fans	21	811504B
Mount plate top, evap. fans	21	811504C
Mount plate top, evap. fans (CA)	21,25	811504D
Mounting bracket, Vacuum pump	25	815715C



Item	Page	Item no.
Nipple, pressure transmitter	25	819746B
Oil filter, vacuum pump	25	818669A
Oil filter, compressor	17	818638B
Oil, vacuum pump	25	818668A
Oil, vacuum pump - 20L	25	818672A
On/Off PCB CIM5	11	818525B
On/Off switch CIM6	13	818525C
O-Ring for Hot Gas Valve	14	819749B
O-ring, sight glass	17	818634B
Permanent magnet	14	818652A
Pipe, Evap. liquid (SCU)	22	815561C
Pipe, Evap. liquid (SCI 8'6")	22	815561E
Pipe, Evap. liquid (SCI 9'6")	22	815561F
Pipe, Evap. suction (SCU)	22	815215B
Pipe, evap. suction (SCI 9'6")	22	815215D
Pipe, evap. Suction (SCI 8'6")	22	815215E
Plug, compressor	17	819745B
Plug, Compressor Oil Filter	17	818635B
Plug, water inlet coupling	15,27	819541B
Plug, water outlet coupling	15,27	819540B
Power cable, 4x4.0mm <sup>2</sup> 300ft	27	818830A
Power cable, 4x4.0mm <sup>2</sup> 1500ft	27	818831A
Power cable cover	20	815505B
Power cable cover	20	815505C
Power cable cover	20	815505D
Power Meas CIM6, Rebuild	13	868511C
Power meas module CIM6	13	818511C
Power meas PCB CIM5	11	818511B
Power plug 3H6H (10 pcs)	27	818827A
Power plug (Box of 10 pcs)	27	818559A
Power splitter	27	818290A
Pressure transmitter, vacuum	25	819605A
Pressure transmitter, LP (AKS)	11,13	819503A
Pressure transmitter, LP (NSK)	11,13,17	819503C
Pressure transmitter, HP (NSK)	11,13,17	819504C
Pressure transmitter, HP (AKS)	11	819504A
Pressure relief valve	17	818866A
Probe NTC 2.5 mm (60 pcs)	27	818555A
Probe PT100 4.4 mm	27	818556A
Receiver	15	814540B
Receiver, water cooled cond.	15	814539B
Receptacle screw, contr. door (10 pcs.)	11,13	819695C
Retainer for screw (10 pcs.)	11,13	819694B
Retriever socket	11,13,27	819595B
Retriever socket cap	11,13,27	819630B
Rivets, 4.8 mm (100 pcs)	23,24	818266B
RMM module	11,13,27	819621B
Schröder valve, angle	17	819754A
Schröder valve, straight	17	819753A
Schröder valve, T	17	819755B
Screw and washer kit (100 pcs)	23,24	818265B
Screw, controller door CIM5 (10 pcs.)	11	819693C
Screw, controller door CIM6 (10 pcs.)	13	819693D
Seal, controller door CIM5	11	814562B
Seal, controller door CIM6	13	818790A
Seal, cover plate cond.	8	815509B

Item	Page	Item no.
Seal, cover plate, air ex.	8,19	815508B
Self-locking nut, M6 (100 pcs)	18	819617B
Sensor, CO <sub>2</sub> (CA/AV)	13,25,26	818745A
Sensor, O <sub>2</sub> (CA)	13,25	818740B
Sensor NTC2.5 (box of 20)	27	818555B
Service kit, condenser motor	9	818231B
Service kit, evaporator motor	21	818230B
Service valve, LP	17	818623B
Shield, vacuum pump	25	818225A
Sight glass incl. O-ring	17	818633B
Sight glass, receiver kit	15,27	818235B
Solenoid coil, 10W 24VAC	11,13,14	818554B
Solenoid coil, 14W 24VDC	11,14	818553A
Solenoid coil, 18W 24VDC	11,14	818554A
Spacer for Air Guide Hinge	23	815653B
Splice kit (box of 25 pcs)	27	818837A
Splice kit, power cable	27	818835A
Splice kit, ASK to NSK	11,13,17	818260A
Spring, compressor oil filter	17	818637B
Stop valve, receiver	15	819500C
Suction filter, compressor	17	818662B
Supply Sensor Plug	20	815520B
Supply temp. sensor pocket	20	885521E
Supply tube assembly	20	815214B
Temperature sensor 0,35m	11,13,25	818940A
Temperature sensor 3,00m	13	818943A
Terminal block PCB CIM5	11	818526C
Terminal block, compressor	17	818639B
Test damper (CA)	25	818251A
Test manometer, vacuum pump	25	818820A
Thread rod, comp. mounting	20	815545B
Threaded bushing, FC mounting	17	819766B
Tool for FC	17	818890A
Tool, hot gas valve	14	818676B
Transformer, 145 VA CIM5	11	818518B
Transformer, 105 VA CIM6	13	818518C
Unit bracket, kit (SCI)	20	818204A
USDA, cover 8'6"	23	815653C
USDA, cover 8'6"	23	815653B
USDA sensor, (10 kit/box)	27	818555C
USDA socket	11,13,27	819633A
USDA socket cap	11,13,27	819634A
User panel CIM6	13	818513A
User Panel ModCIM6, Rebuild	13	868513A
Z-profile kit, SCI 9'6"	23	818338A
Z-profile kit, SCU	24	818336A
Vacuum hose, 3/4"	25	819875A
Vacuum pump	25	819530B
Vacuum pump, VacControl tool	25	818821A
Valve piping, complete	14	818234A
Water inlet coupling, male	15	819537C
Water outlet coupling, female	15	819536C
Wing screw kit (10 pcs)	19	818267B

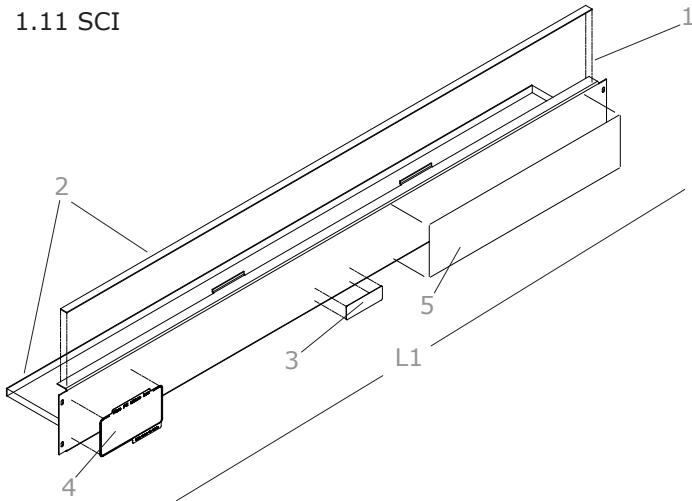




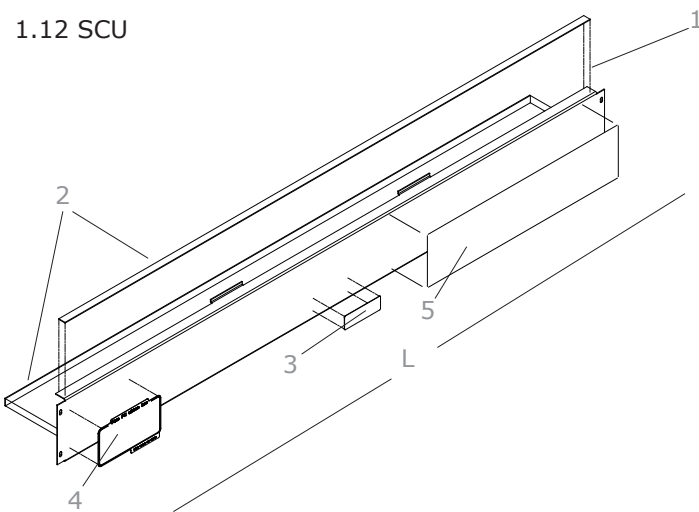
<b>1.00</b>	<b>Front module</b>		
1.10	Cover plate for condenser coil	Page	8
1.11	SCI	Page	8
1.12	SCU	Page	8
1.20	Cover plate for air exchange	Page	8
1.21	SCI	Page	8
1.22	SCU	Page	8
<b>2.00</b>	<b>Condenser module</b>		
2.10	Condenser fan section	Page	9
2.11	SCI	Page	9
2.12	SCU	Page	9
2.20	Controller section	Page	10
2.21	CIM5 controller	Page	10
2.22	CIM6 controller	Page	12
2.30	Condenser section	Page	14
2.40	Valves and economizer section	Page	14
2.50	Receiver section	Page	15
2.60	Compressor section	Page	16
2.70	Frequency converter section	Page	18
<b>3.00</b>	<b>Unit frame module</b>		
3.10	Inspection cover	Page	18
3.20	Air exchange section	Page	19
3.21	Air Ex. module	Page	19
3.22	75 m <sup>3</sup> /h	Page	19
3.30	Various mounting	Page	20
3.31	SCU	Page	20
3.32	SCI	Page	20
<b>4.00</b>	<b>Evaporator module</b>		
4.10	Evaporator fan section	Page	21
4.11	SCI	Page	21
4.12	SCU	Page	21
4.20	Evaporator section	Page	22
4.30	Back plate section	Page	23
4.31	SCI	Page	23
4.32	SCU	Page	24
<b>5.00</b>	<b>Controlled atmosphere</b>		
5.10	CA	Page	25
5.20	AV+	Page	26
<b>6.00</b>	<b>Dual voltage</b>	Page	26
<b>9.00</b>	<b>Consumable parts</b>	Page	27
<b>9.50</b>	<b>Container box parts for SCI</b>	Page	27
<b>9.70</b>	<b>Container box parts for SCU</b>	Page	27



1.11 SCI



1.12 SCU

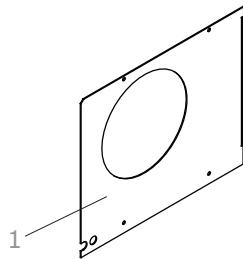


Pos.	Item	Item no.
1	Cover plate, cond. (L=1715 mm)	815209B
1	Cover plate, cond. (L=1751 mm)	815209C
1	Cover plate, cond. (SCI) (L1=2100 mm)	815209D
2	Seal, cover plate cond.	815509B
3	Decal, warning hot components	815571B
4	Decal, PTI stickers	815573B
5	Decal, controller menu CIM5	815588B
5	Decal, controller menu CIM6	815588C

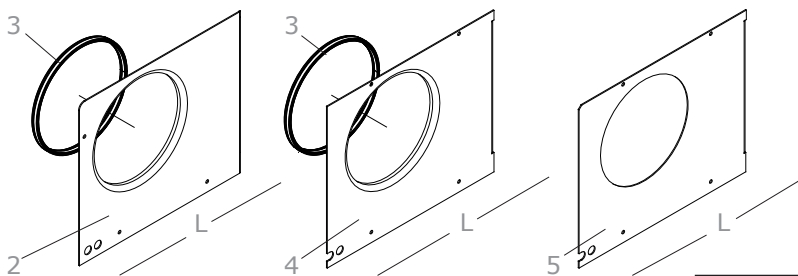
1.20 Cover plate for air exchange



1.21 SCI



1.22 SCU

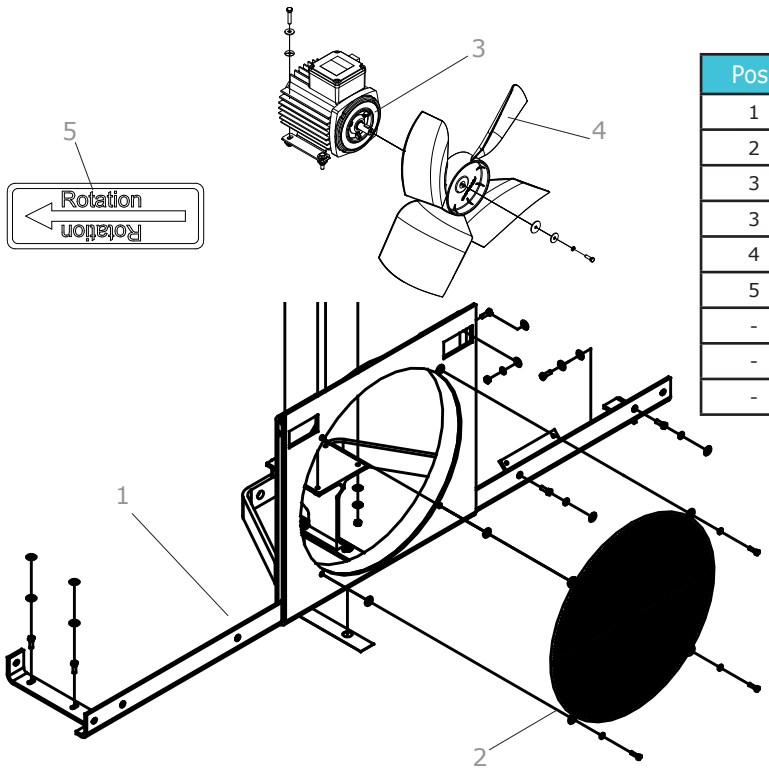


Pos.	Item	Item no.
1	Cover plate, air ex. (SCI)	815208D
2	Cover plate, air ex. (L=594 mm)	815208B
3	Seal, cover plate, air ex.	815508B
4	Cover plate, air ex. (L=610 mm)	815208C
5	Cover plate, air ex. (L=610 mm)	815208E



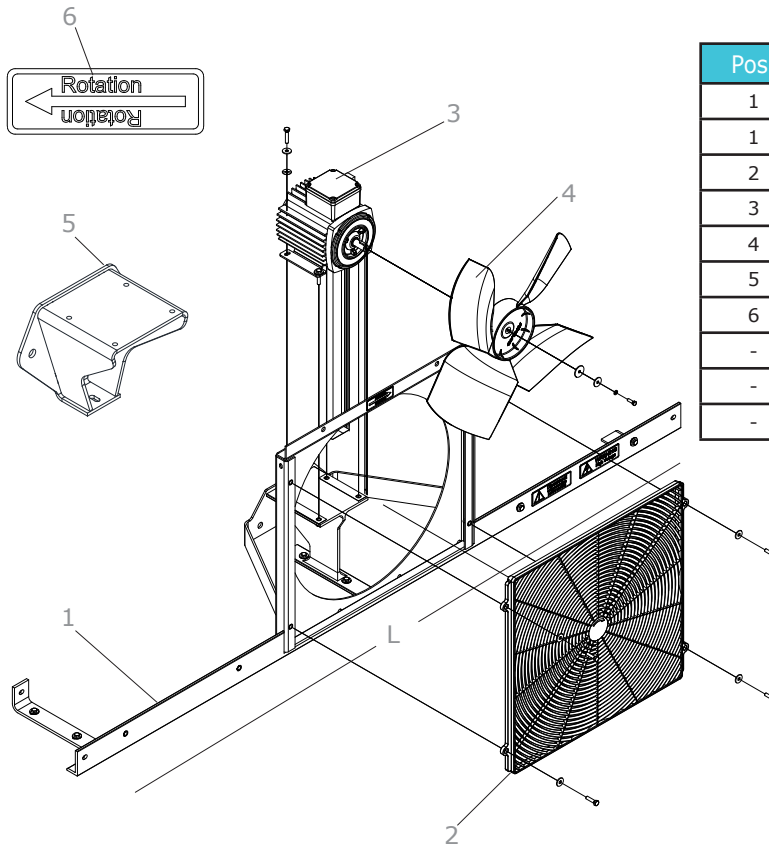


2.11 SCI



Pos.	Item	Item no.
1	Condenser frame, round	814201B
2	Fan grill, cond., round	814541B
3	Motor, condenser fan	819590C
3	Motor, condenser, Zhongda	818792A
4	Fan blade, condenser	819543B
5	Decal, Fan rotation direction	815595B
-	Cable gland, M20	818665B
-	Motor cable, adapter kit	818202A
-	Service kit, condenser motor	818231B

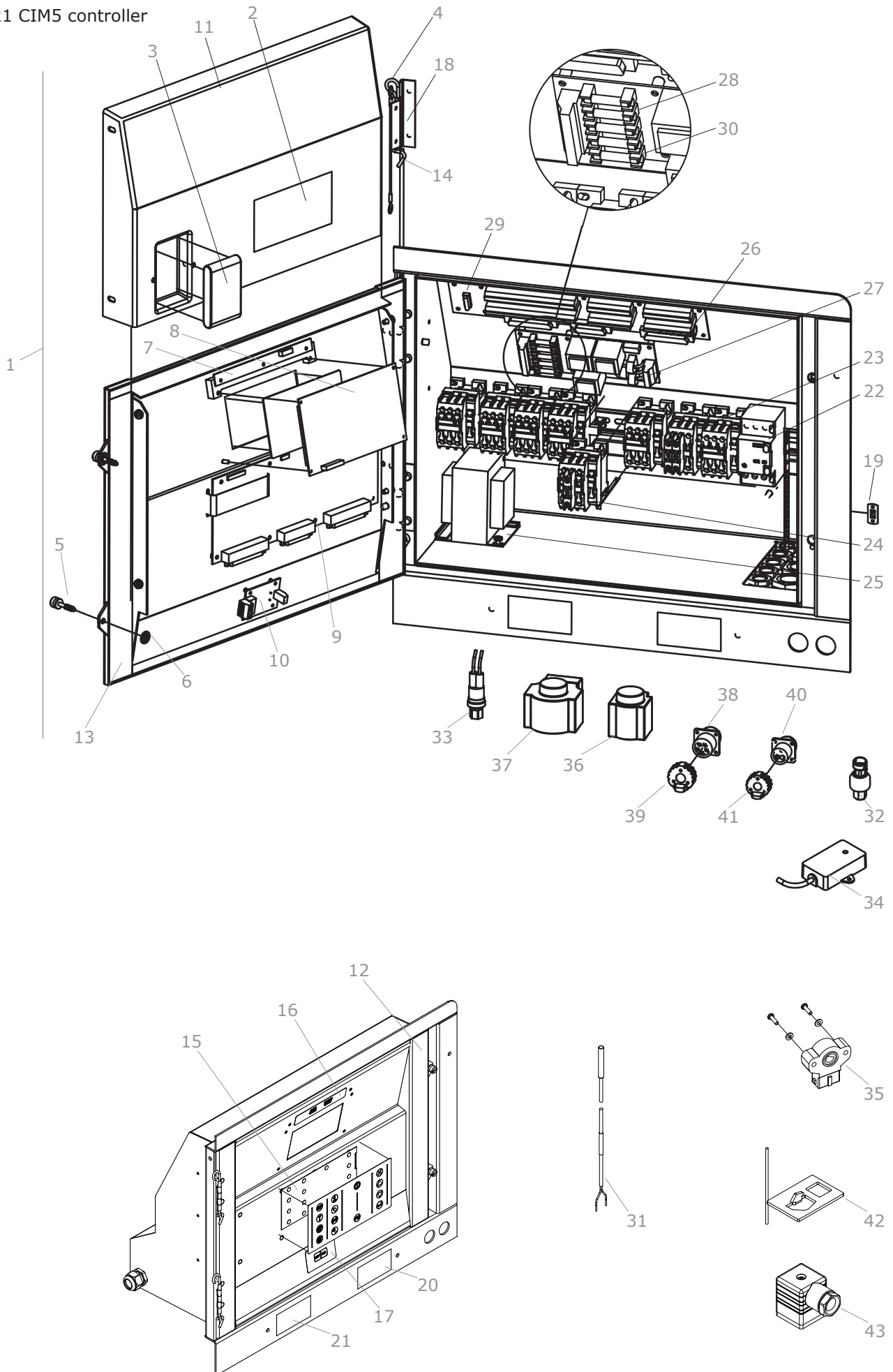
2.12 SCI



Pos.	Item	Item no.
1	Cond. frame, square (L=1701 mm)	814201D
1	Cond. frame, square (L=1625 mm)	814201C
2	Fan grill, cond., square	814541C
3	Motor, condenser fan	819590C
4	Fan blade, condenser	819543B
5	Condenser Fan Motor Support	818795A
6	Decal, Fan rotation direction	815595B
-	Cable gland, M20	818665B
-	Motor cable, adapter kit	818202A
-	Service kit, condenser motor	818231B



2.21 CIM5 controller

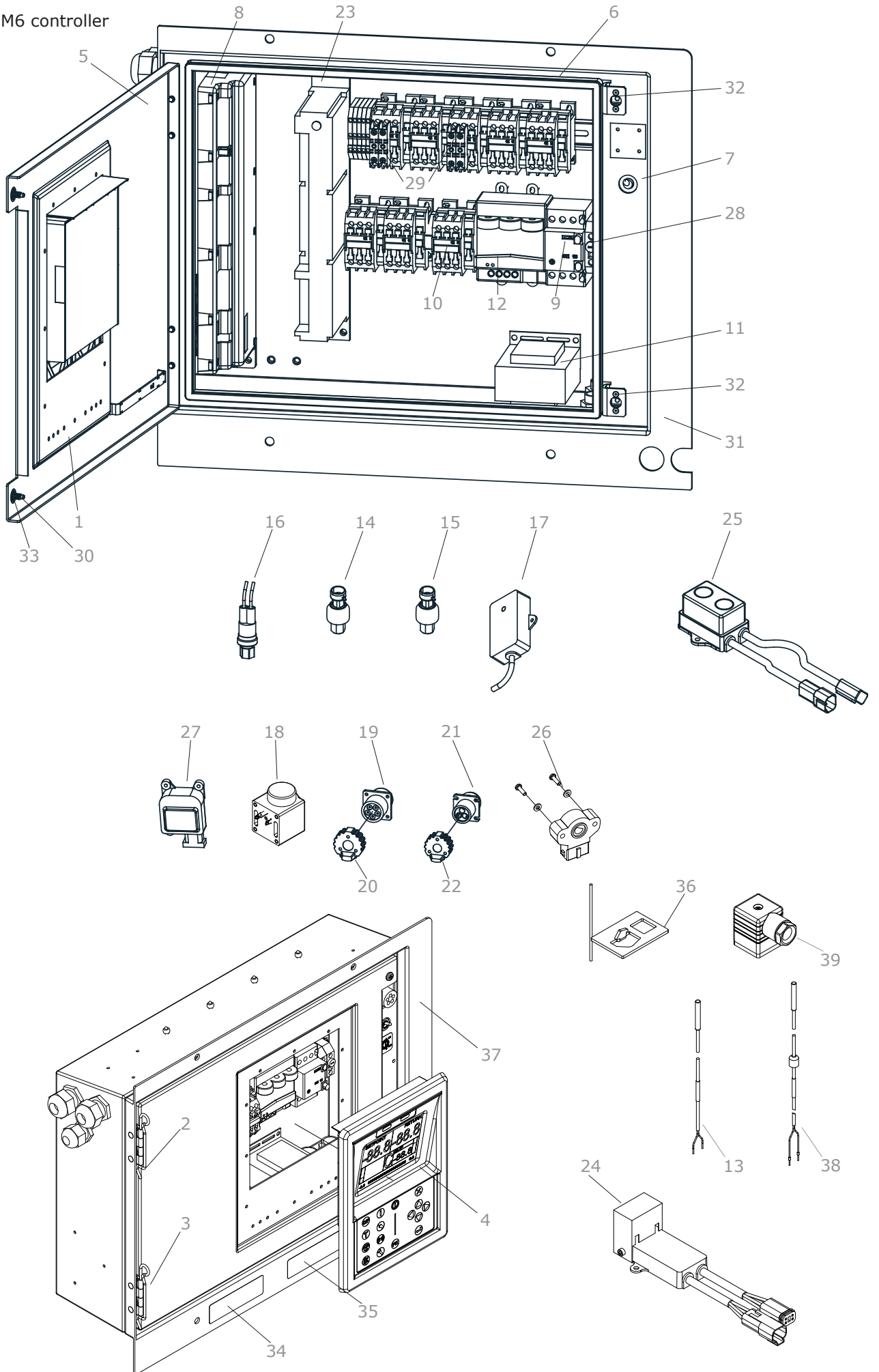




Pos.	Item	Item no.	Pos.	Item	Item no.
1	Controller door, complete CIM5	818320B	31	Temperature sensor 0,35m	818940A
2	Decal, electrical diagram CIM5	815589B	32	Pressure transmitter, LP (AKS)	819503A
3	Batt. pack CIM5	818536B	32	Pressure transmitter, LP (NSK)	819503C
4	Hinge pin	814644B	32	Pressure transmitter, HP (AKS)	819504A
5	Screw, controller door CIM5 (10 pcs.)	819693C	32	Pressure transmitter, HP (NSK)	819504C
6	Retainer for screw (10 pcs.)	819694B	33	High pressure switch	819501A
7	LED PCB CIM5	818517A	34	Humidity sensor CIM5	818551A
8	Display PCB CIM5	818515A	35	Air ex. sensor	818276A
9	Controller module CIM5	818255C	36	Solenoid coil, 14W 24VDC	818553A
10	On/Off PCB CIM5	818525B	37	Solenoid coil, 18W 24VDC	818554A
11	Cover, controller door CIM5	814673B	38	Retriever socket	819595B
-	Cable set, X1 - X2 - X3 CIM5	818561B	39	Retriever socket cap	819630B
12	Controller door, CIM5	818310B	40	USDA socket	819633A
13	Seal, controller door CIM5	814562B	41	USDA socket cap	819634A
14	Hinge part 2	814643B	42	Contacteur clip kit (10 pcs.)	818269A
15	Keypad CIM5	818527B	43	Connector plug, solenoid coil	818761A
16	Cover foil, LED CIM5	818542B	-	Cable, air exchange sensor	818572B
17	Cover foil, On/Off PCB CIM5	818544B	-	Cable, data retrieval	818575A
18	Hinge part 1	814642B	-	Cable, data retrieval USB	818575D
19	Receptacle screw, contr. door (10 pcs.)	819695C	-	Cable gland, M20	818665B
20	Decal, warning high voltage	815575B	-	Cable set, internal CIM5	818461B
21	Decal, discon. before welding	815578B	-	Cable, FC power	818565B
22	Main circuit breaker CIM5	818520A	-	Cable, FC communication	818566B
23	Contacteur, Danfoss	818521B	-	Cable, humidity sensor CIM5	818563A
24	Auxiliary contact (white dot)	818522B	-	Cable, p. transmitter (AKS)	818564A
25	Transformer, 145 VA CIM5	818518B	-	Cable, p. transmitter (NSK)	818564B
26	Terminal block PCB CIM5	818526C	-	Interlock, contacteur Danfoss	818523B
27	Power meas PCB CIM5	818511B	-	Motor cable adapter kit	818202A
28	Fuse, 0.63 A (box of 10 pcs.) CIM5	818546B	-	RMM module	819621B
29	Fuse, 6.3 A (box of 10 pcs.) CIM5	818545B	-	Splice kit, AKS to NSK	818260A
30	Fuse, 10 A (box of 10 pcs.) CIM5	818530A			

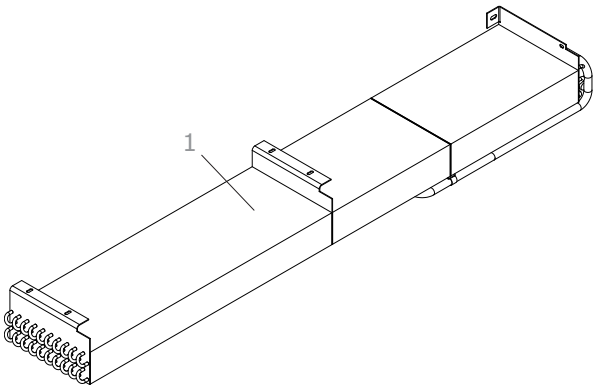


2.22 CIM6 controller



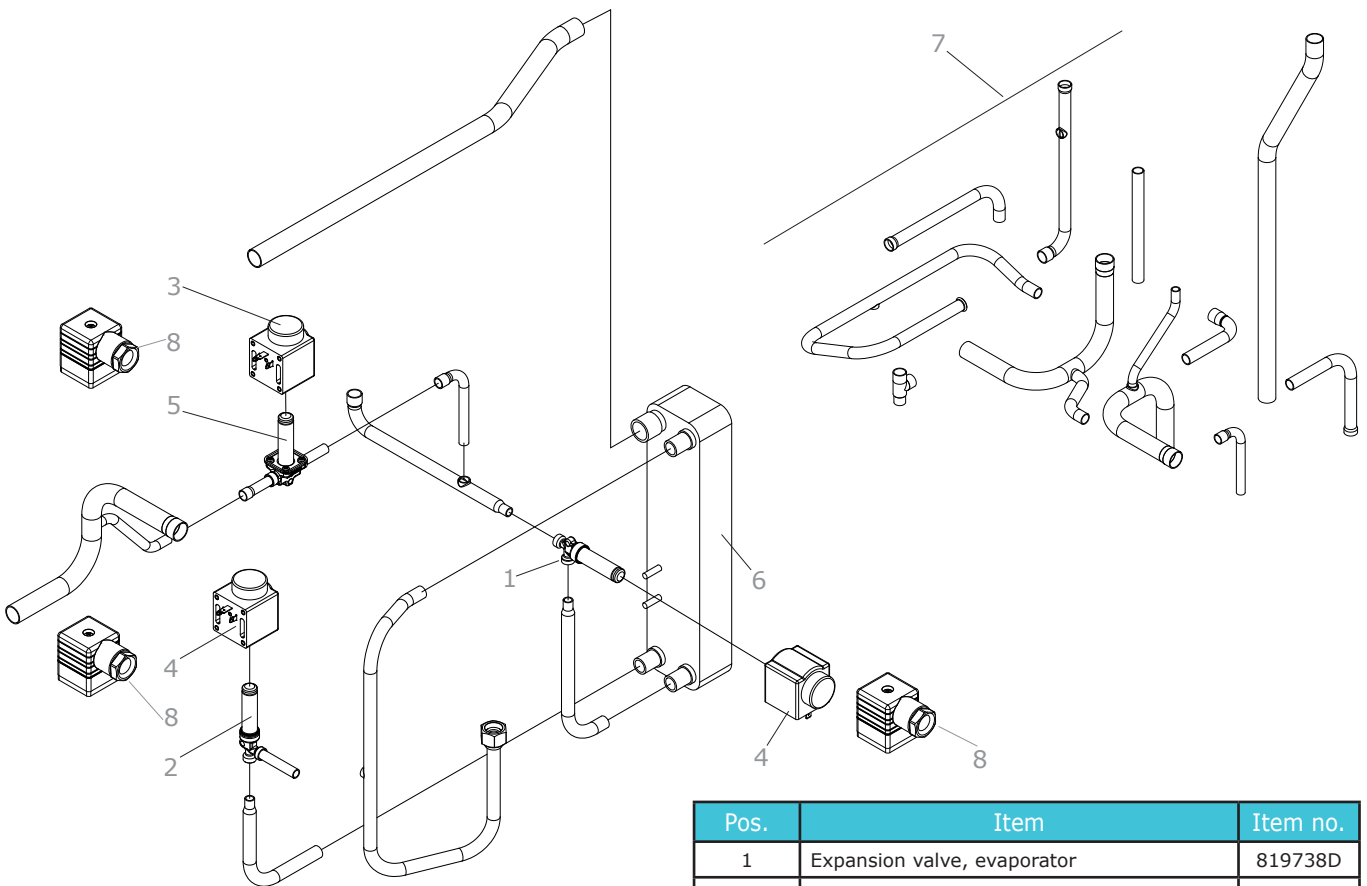


Pos.	Item	Item no.	Pos.	Item	Item no.
1	Controller door, CIM6	818310C	34	Decal, discon.before welding	815578B
2	Hinge part CIM6	814642C	35	Decal, warning high voltage	815575B
3	Hinge pin	814644B	36	Contacto clip kit (10 pcs.)	818269A
4	User panel CIM6	818513A	37	Controllerbox frame	814237A
-	Cover foil, LED CIM6	818542C	38	Temperature sensor 3,00m	818943A
4	User Panel ModCIM6, Rebuild	868513A	39	Connector plug, solenoid coil	818761A
5	Decal, electrical diagram CIM6	815589C	-	2 pin X3/12/13/14/15/20	818770A
6	Seal, controller door CIM6	818790A	-	2 pin X1	818778A
7	On/Off switch CIM6	818525C	-	3 pin X6/7/8/9	818771A
8	Controller module CIM6	818925A	-	4 pin X26/27	818776A
8	Controller CIM6.1, Rebuild	868510E	-	4 pin X4	818772A
9	Main circuit breaker CIM6	818908A	-	5 pin connector (3.81mm/0o)	818777A
10	Contacto, Danfoss	818521B	-	5 pin X10/11	818773A
10	Contacto, Schneider	818930A	-	6 pin X16/17/18/19/22/23	818774A
11	Transformer, 105 VA CIM6	818518C	-	10 pin X24/25	818775A
12	Power meas module CIM6	818511C	-	Batt. pack, rechargeable CIM6	818536C
12	Power Meas CIM6, Rebuild	868511C	-	Cable, air ex. motor (CA/AV)	818754A
13	Temperature sensor 0,35m	818940A	-	Cable, air ex. sensor	818572B
14	Pressure transmitter, LP (AKS)	819503A	-	Cable, CA controller module	818465A
14	Pressure transmitter, LP (NSK)	819503C	-	Cable, data retrival	818575A
15	Pressure transmitter, HP (NSK)	819504C	-	Cable, data retrieval USB	818575D
16	High pressure switch	819501A	-	Cable, FC communication	818566B
17	Humidity sensor CIM6	818551B	-	Cable, FC power	818565B
18	Solenoid coil, 10W 24VAC	818554B	-	Cable gland, M20	818665B
19	Retriever socket	819595B	-	Cable gland, M25	818666B
20	Retriever socket cap	819630B	-	Cable gland, M40	818664B
21	USDA socket	819633A	-	Cable, humidity sensor CIM6	818563B
22	USDA socket cap	819634A	-	Cable, p. transmitter (NSK)	818564B
23	RMM module	819621B	-	Cable, p. transmitter (AKS)	818564A
24	Sensor, O <sub>2</sub> (CA)	818740B	-	Cable set, complete, CIM6	818360C
25	Sensor, CO <sub>2</sub> (CA/AV)	818745A	-	Cable set, internal CIM6	818461C
26	Air exchange sensor	818276A	-	Cable, solenoid coil	818760A
27	Air ex. motor (CA/AV)	818275A	-	Cable, vacuum pump motor	818752A
28	Fuse holder, 0.4 A	818534A	-	Controller module (CA)	818512A
29	Auxiliary contact (white dot)	818522B	-	Decal, electrical diagram CA	815589D
29	Auxiliary contact	818911A	-	Decal, Wiring Schematic, CA	815589G
29	Auxiliary contact, Schneider	818931A	-	Fuse, 0.4 A (box of 10 pcs.)	818531A
30	Screw, controller door CIM6 (10 pcs.)	819693D	-	Interlock, contacto Danfoss	818523B
31	Controller box CIM6	818305C	-	Interlock, Schneider	818932A
32	Receptacle screw, contr. door (10 pcs.)	819695C	-	Motor cable adapter kit	818202A
33	Retainer for screw (10 pcs.)	819694B	-	Splice kit, AKS to NSK	818260A

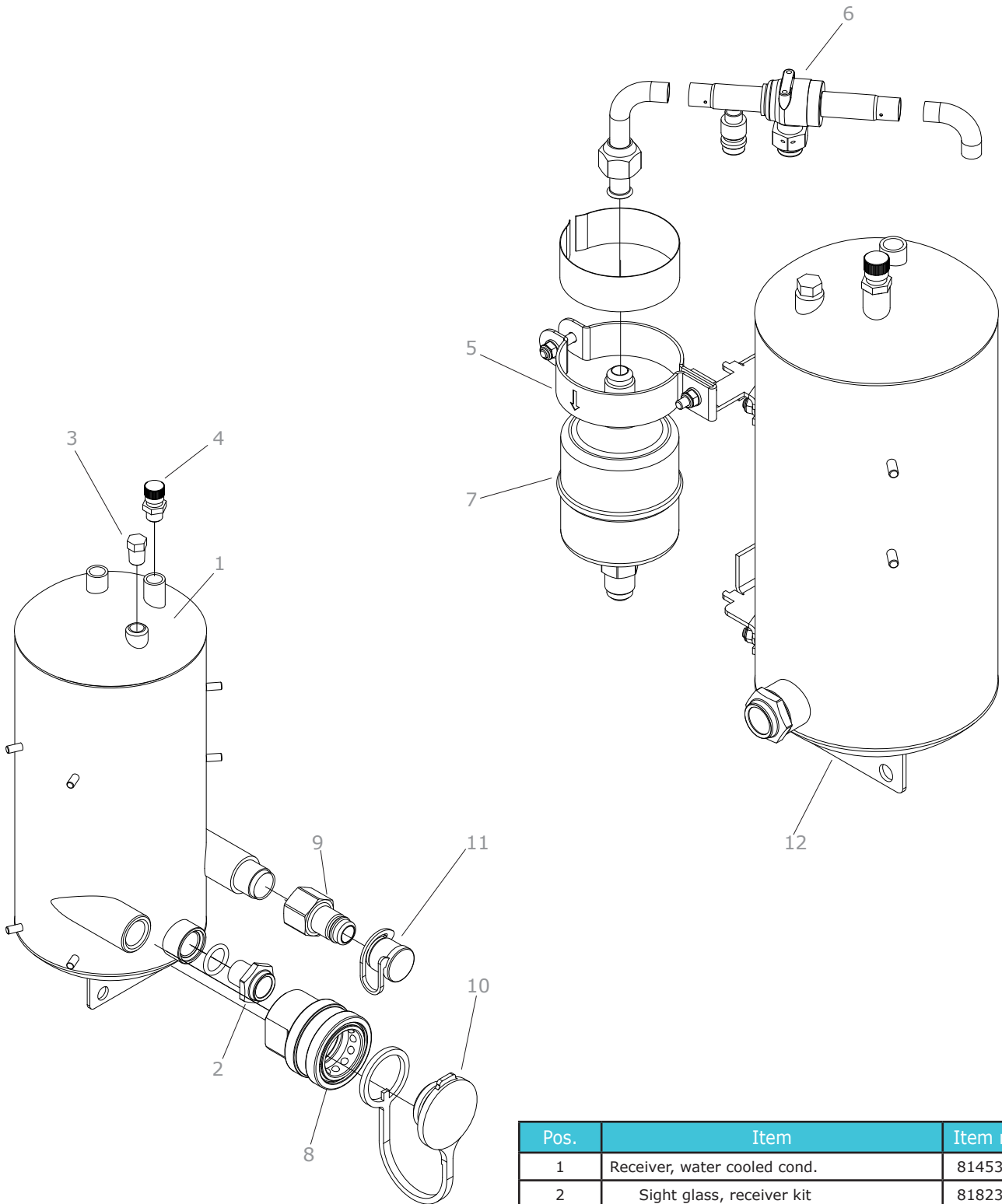


Pos.	Item	Item no.
1	Condenser coil	819526B

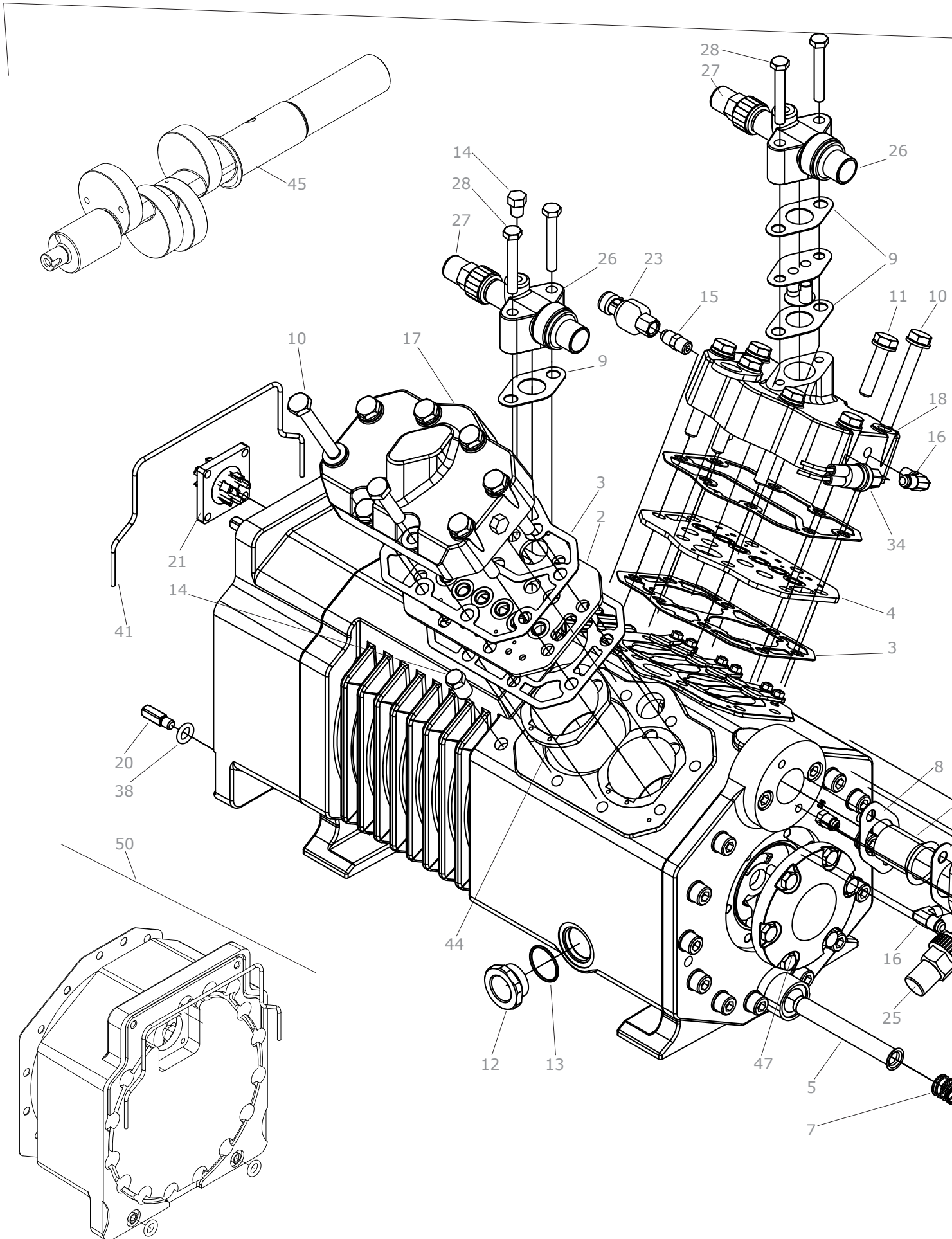
2.40 Valves and economizer section



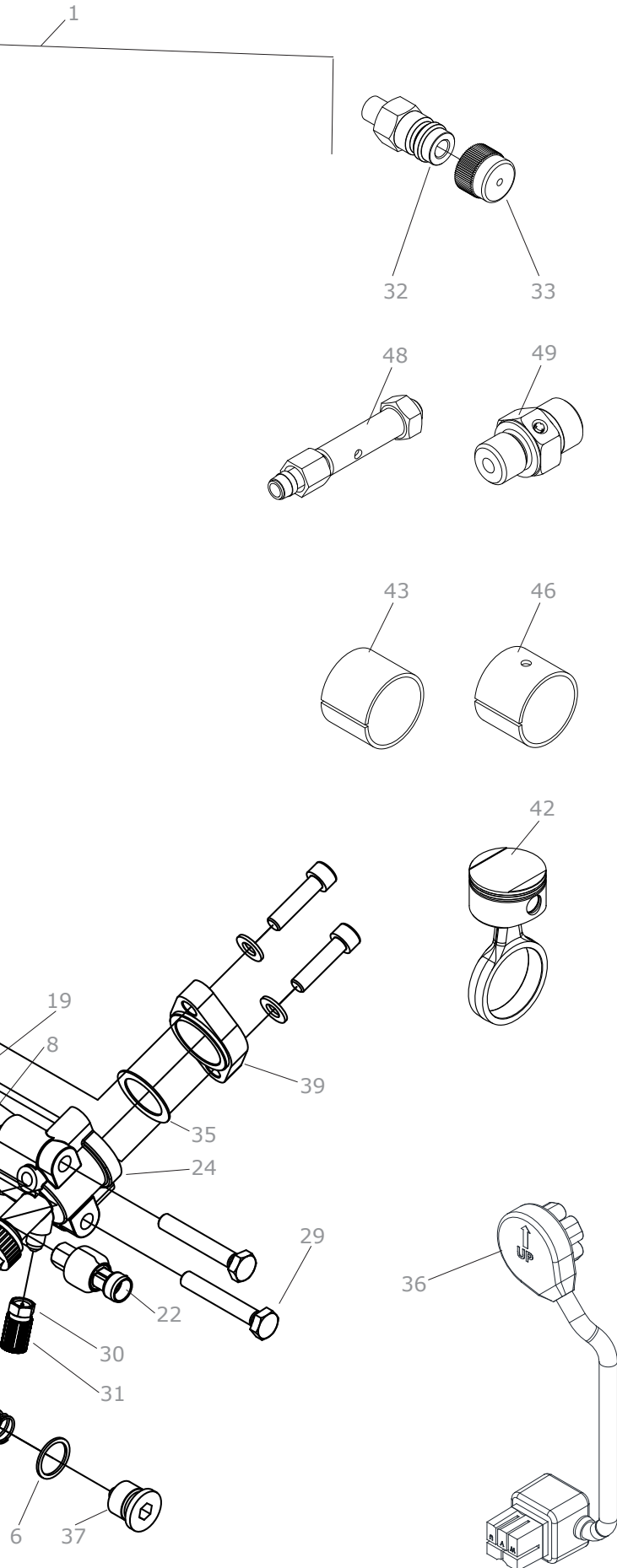
Pos.	Item	Item no.
1	Expansion valve, evaporator	819738D
2	Expansion valve, economizer	819737D
2	Expansion valve, economizer	819737B
3	Solenoid coil, 14W 24VDC	818553A
4	Solenoid coil, 18W 24VDC	818554A
5	Hot gas valve	819740C
-	Hot gas valve CIM 5	819740B
6	Economizer	814667B
-	Insulation, economizer	814571B
-	O-Ring for Hot Gas Valve	819749B
7	Valve piping, complete	818234A
8	Connector plug, solenoid coil	818761A
-	Hot gas valve, service kit	818675B
-	Solenoid coil, 10W 24VAC	818554B
-	Permanent magnet	818652A
-	Tool, hot gas valve	818676B



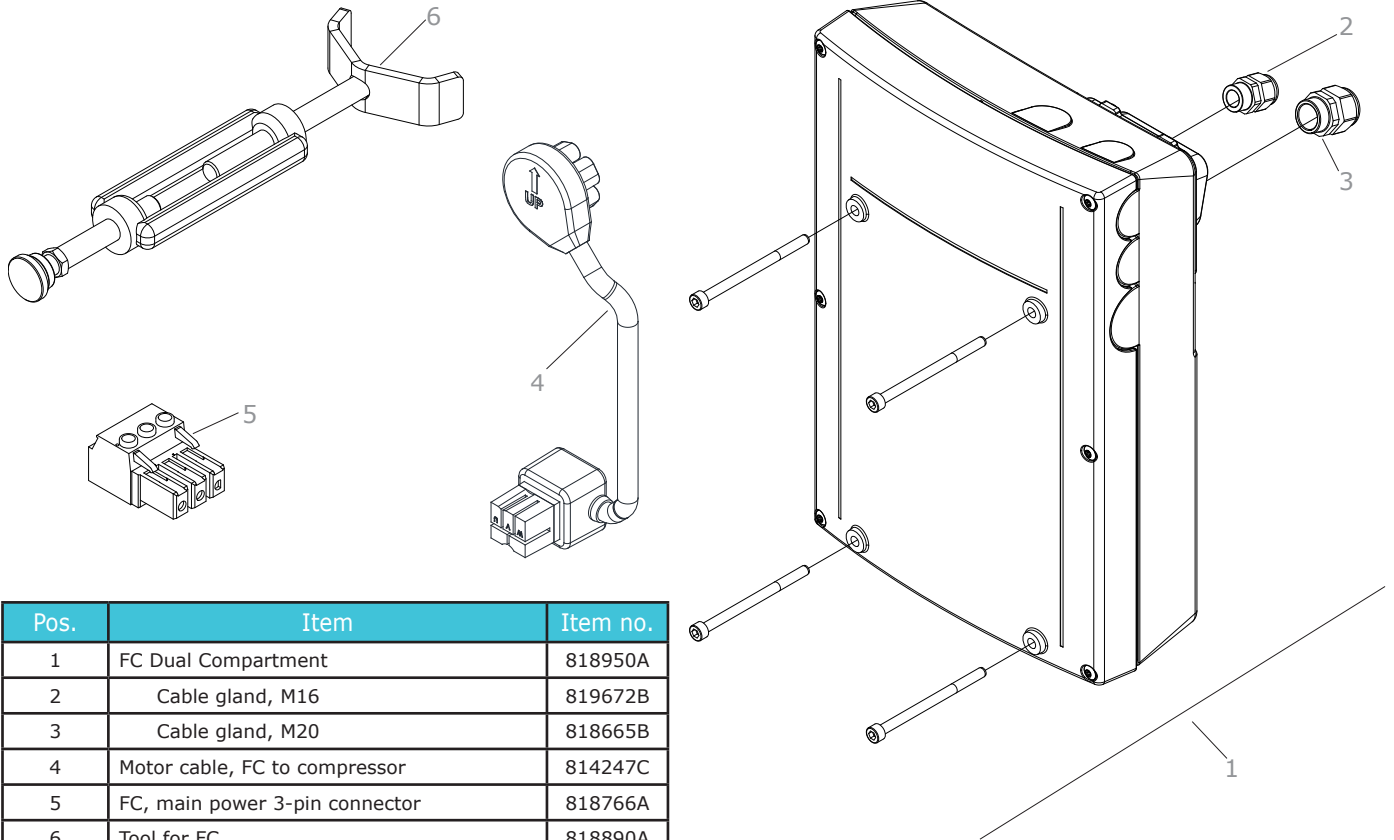
Pos.	Item	Item no.
1	Receiver, water cooled cond.	814539B
2	Sight glass, receiver kit	818235B
3	Melt fuse kit	818236B
4	Liquid charging valve, receiver	819747B
5	Filter mounting ring	814538B
6	Stop valve, receiver	819500C
7	Drying filter (box of 12 pcs)	819506A
8	Water outlet coupling, female	819536C
9	Water inlet coupling, male	819537C
10	Plug, water outlet coupling	819540B
11	Plug, water inlet coupling	819541B
12	Receiver	814540B
-	Cap, stop valve, receiver	818619A





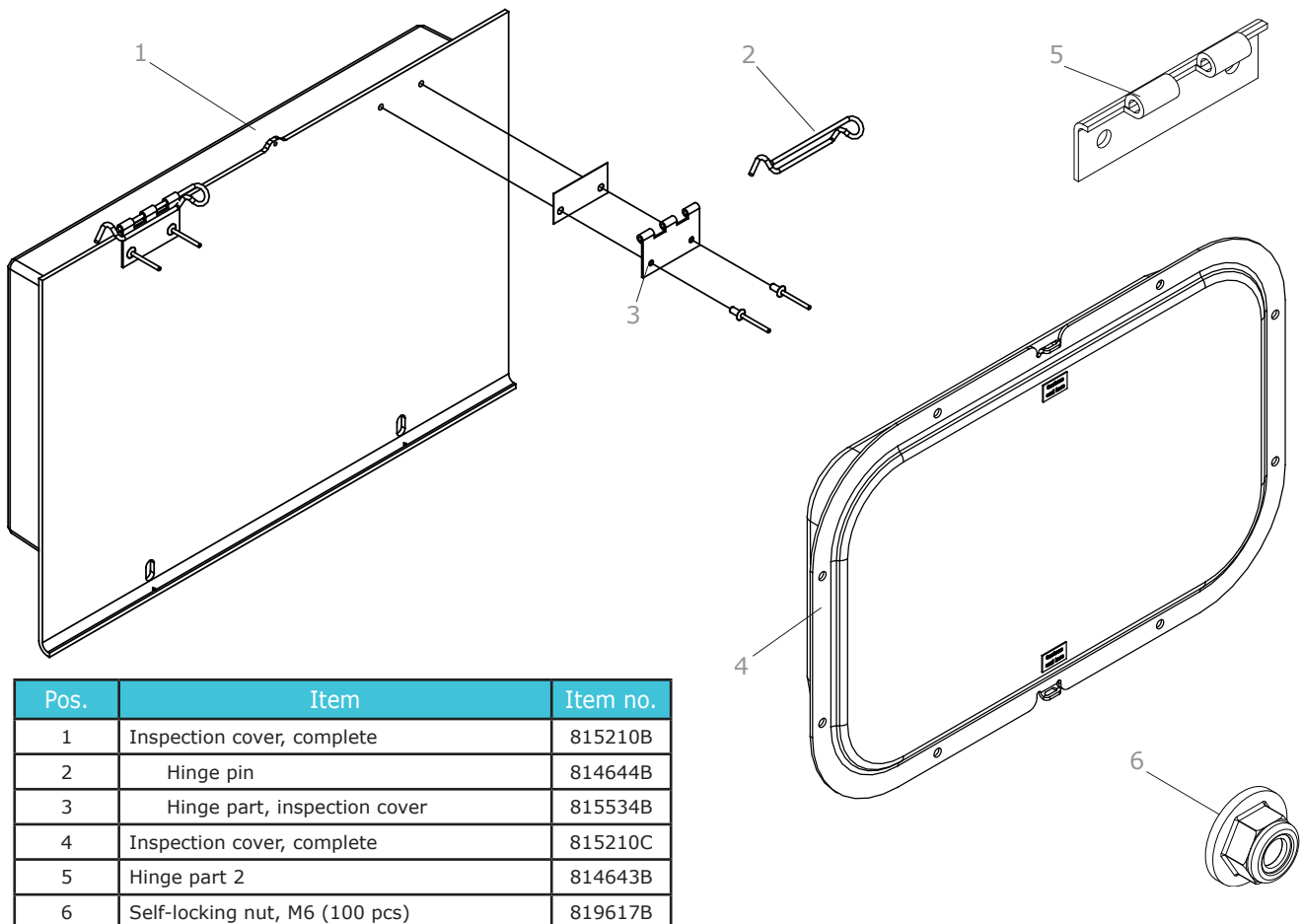


Pos.	Item	Item no.
1	Compressor, Reman.	864658B
1	Compressor	818658B
2	Compressor valve plate, LP	818601B
3	Cylinder head gasket kit	818605B
4	Compressor valve plate, HP	818602B
3	Cylinder head gasket kit	818605B
5	Oil filter, compressor	818638B
6	Gasket, compressor oil plug	818636B
7	Spring, compressor oil filter	818637B
8	Gasket, service valve, LP	818661B
9	Gasket, compressor stop valve	818656B
10	Bolt kit for cylinder head	818612A
12	Sight glass incl. O-ring	818633B
13	O-ring, sight glass	818634B
14	Plug, compressor	819745B
15	Schräder valve, straight	819753A
16	Schräder valve, angle	819754A
17	Cylinder head, LP with gasket	818610B
18	Cylinder head, HP with gasket	818611B
19	Suction filter, compressor	818662B
20	Threaded bushing, FC mounting	819766B
21	Terminal block, compressor	818639B
-	BSE55, compressor oil	818667B
-	Compressor gaskets, complete	818872A
22	Pressure transmitter, LP (NSK)	819503C
23	Pressure transmitter, HP (NSK)	819504C
24	Service valve, LP	818623B
25	Cap, service valve, LP	818629B
26	Compressor stop valve	819750B
27	Cap, compressor stop valve	818630B
28	Bolt, compressor stop valve	818655B
29	Bolt, service valve, LP	818660B
30	Evacuation valve, LP	818625B
31	Cap, evacuation valve, LP	818631B
32	Evacuation valve, HP	818626B
33	Cap, evacuation valve, HP	818632B
34	High pressure switch	819501A
35	Gasket, Suction Service Valve	815558B
36	Motor cable, FC and compressor	814247C
37	Plug, Compressor Oil Filter	818635B
38	Gasket, O-ring, compressor (FC side)	819550B
39	Flange, Suction Service Valve	815559B
41	Gasket, compressor 410mm	819552B
42	Compressor Piston LP, Complete	818849A
42	Compressor Piston HP, Complete	818850A
43	Bearing bush, crankcase side	818856A
44	Compressor cylinder liner	818851A
45	Compressor crankshaft	818854A
46	Bearing bush	818857A
47	Compressor oil pump, complete	818869A
48	Pressure relief valve	818866A
49	Check valve	818864A
50	Compressor end housing, kit	818334A
-	Schräder valve, T	819755B
-	Splice kit, AKS to NSK	818260A

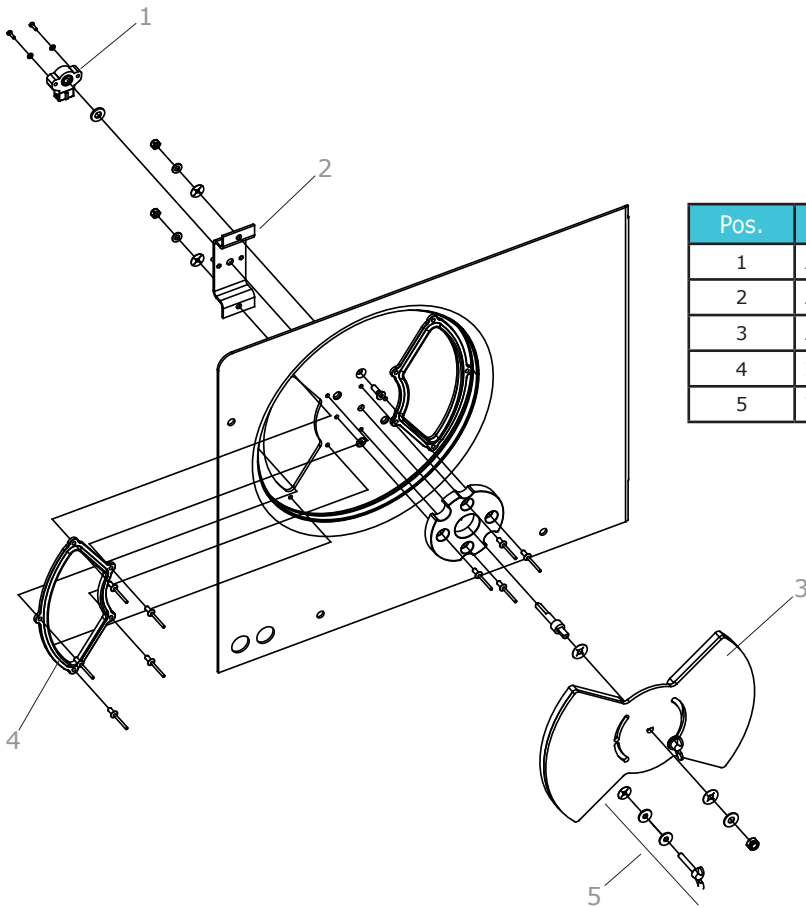


Pos.	Item	Item no.
1	FC Dual Compartment	818950A
2	Cable gland, M16	819672B
3	Cable gland, M20	818665B
4	Motor cable, FC to compressor	814247C
5	FC, main power 3-pin connector	818766A
6	Tool for FC	818890A
-	FC, dual compartment kit	818241D

3.10 Inspection cover

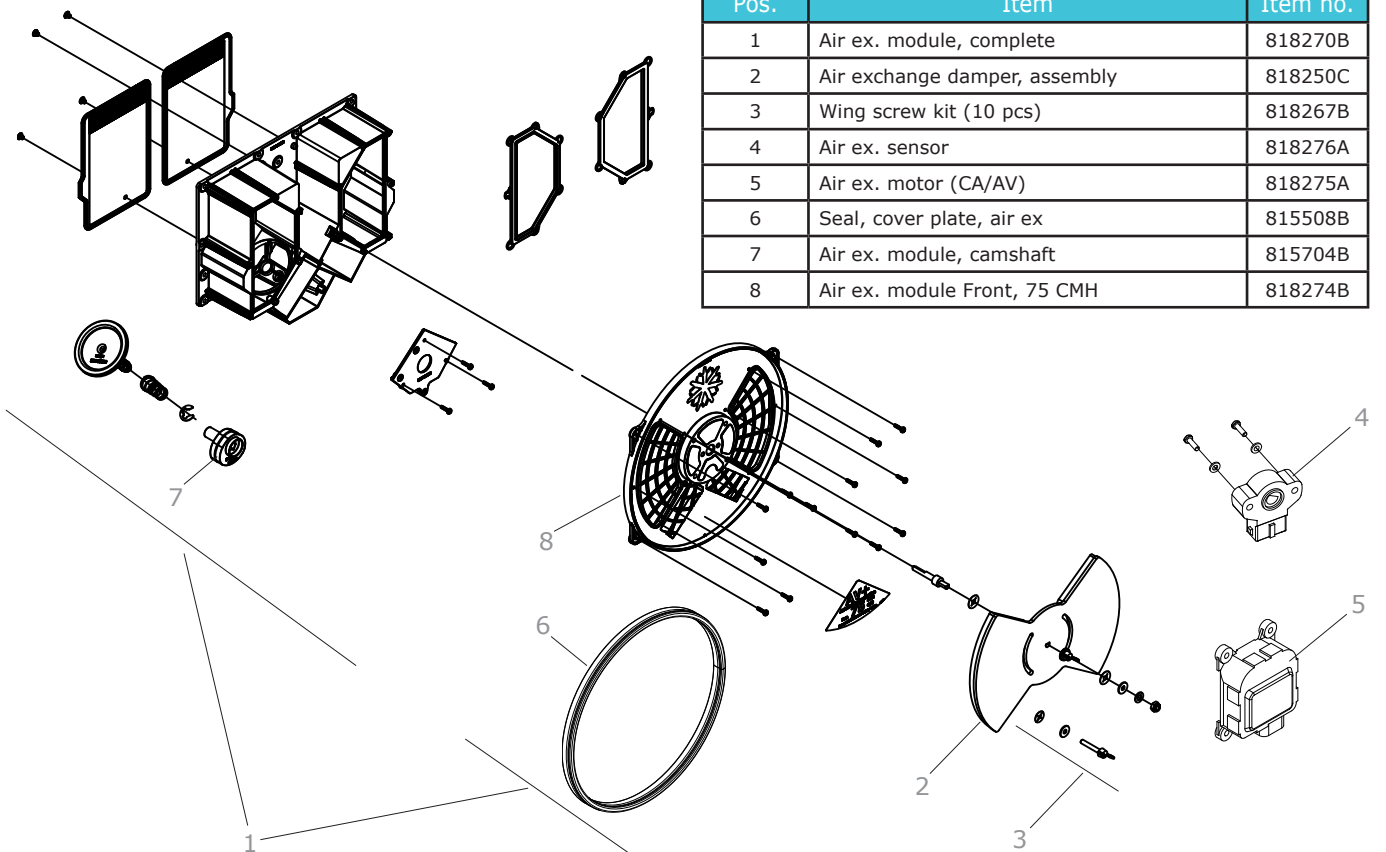


Pos.	Item	Item no.
1	Inspection cover, complete	815210B
2	Hinge pin	814644B
3	Hinge part, inspection cover	815534B
4	Inspection cover, complete	815210C
5	Hinge part 2	814643B
6	Self-locking nut, M6 (100 pcs)	819617B



Pos.	Item	Item no.
1	Air ex. sensor	818276A
2	Air ex. sensor bracket	815206B
3	Air exchange damper, assembly	818250C
4	Insect mesh, air exchange	815553B
5	Wing screw kit (10 pcs)	818267B

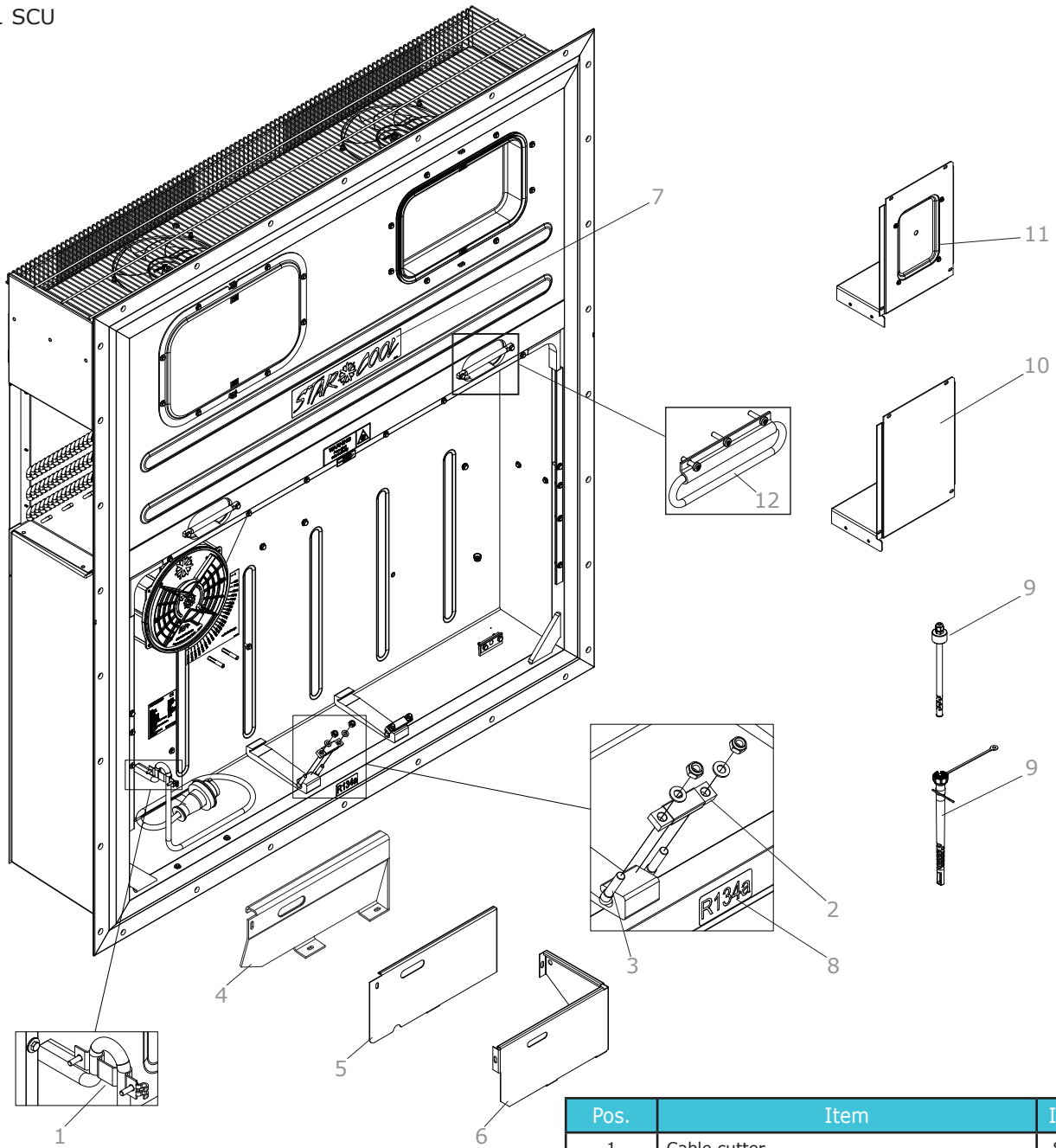
3.22 75 m<sup>3</sup>/h module



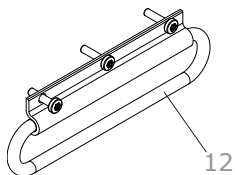
Pos.	Item	Item no.
1	Air ex. module, complete	818270B
2	Air exchange damper, assembly	818250C
3	Wing screw kit (10 pcs)	818267B
4	Air ex. sensor	818276A
5	Air ex. motor (CA/AV)	818275A
6	Seal, cover plate, air ex	815508B
7	Air ex. module, camshaft	815704B
8	Air ex. module Front, 75 CMH	818274B



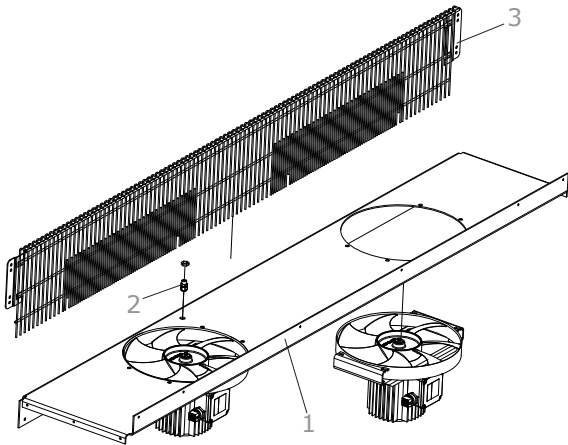
3.31 SCU



3.32 SCI



Pos.	Item	Item no.
1	Cable cutter	815519B
1	Cable cutter, 18mm	815519E
2	Cross rod, comp. mounting	815546B
3	Thread rod, comp. mounting	815545B
4	Power cable cover	815505B
5	Power cable cover	815505C
6	Power cable cover	815505D
7	Decal, Star Cool	815586B
8	Decal, R134a	815572B
9	Supply tube assembly	815214B
9	Supply temp. sensor pocket	885521E
10	Cover plate for controller	815506B
11	Cover plate for controller, RCM	815506E
12	Unit bracket, kit (SCI)	818204A
-	Cust. seal grill air ex., right	813565B
-	Cust. seal grill air ex., left	813566B
-	Decal, fan starts automatically	815570B
-	Supply Sensor Plug	815520B

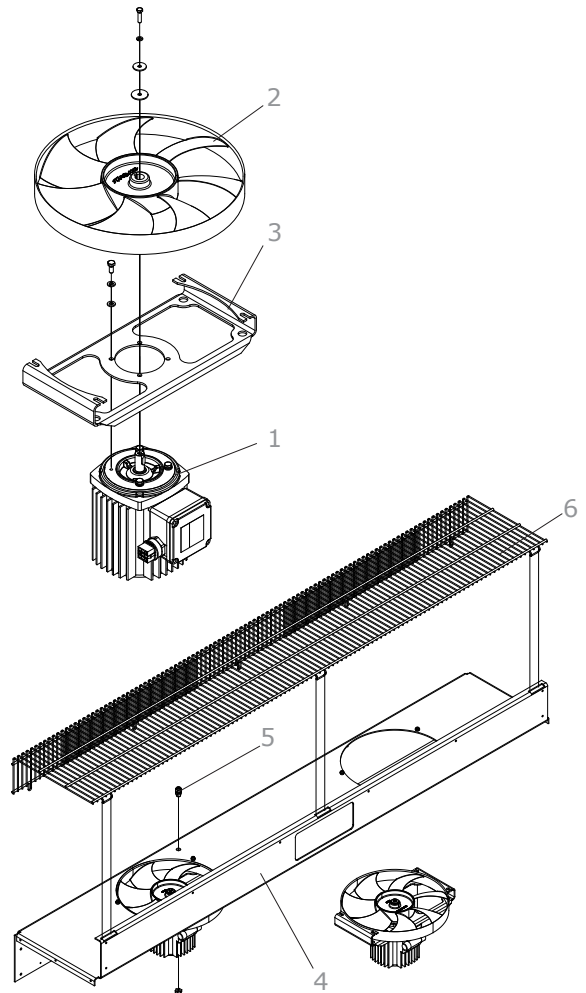
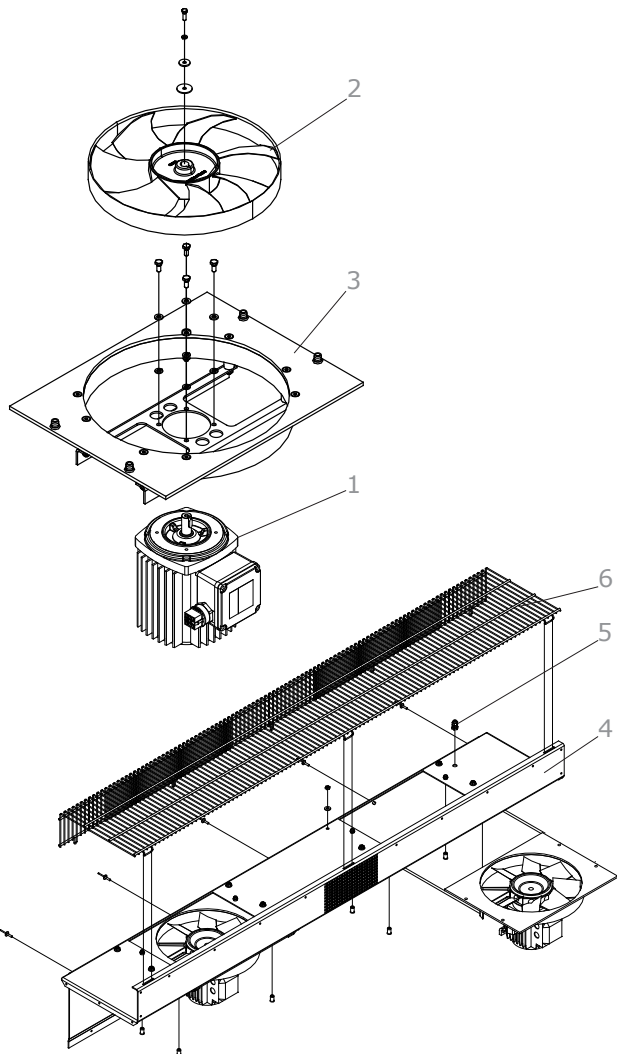


Pos.	Item	Item no.
1	Mount plate top, evap. fans	811504C
2	Cable gland, M12	819572B
3	Fan grill, evaporator (SCI)	811506C
-	Motor cable, adapter kit	818202A
-	Service kit, evaporator motor	818230B
-	Mount plate top, evap. fans (CA)	811504D

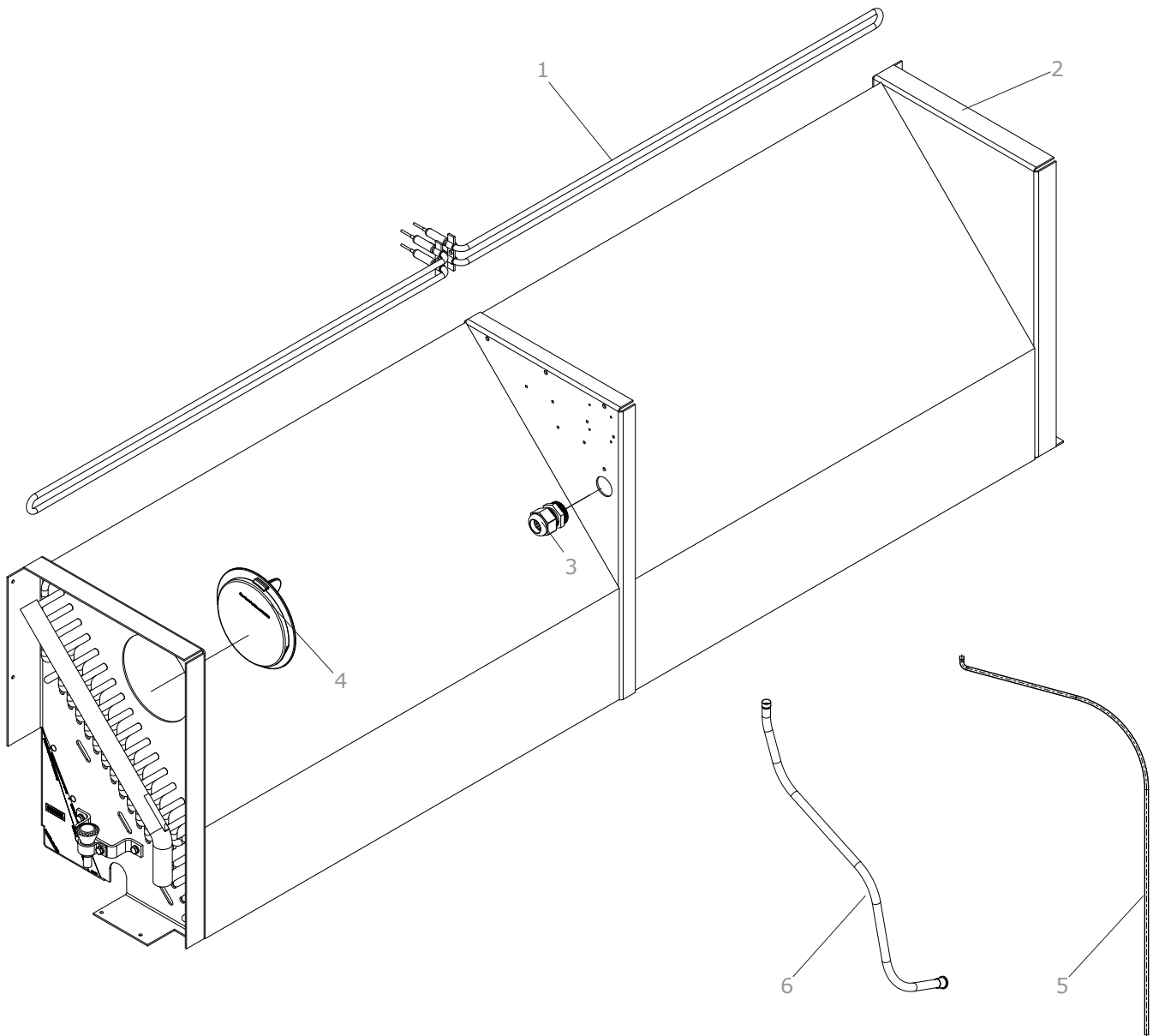
4.10 Evaporator fan section / 4.12 SCU



Pos.	Item	Item no.
1	Motor, evaporator fan	819589C
2	Fan blade, evaporator	819542C
3	Inlet ring, evaporator fan	811215B
4	Mount plate top, evap. fans	811504B
5	Cable gland, M12	819572B
6	Fan grill, evaporator	811506B
-	Motor cable, adapter kit	818202A
-	Service kit, evaporator motor	818230B



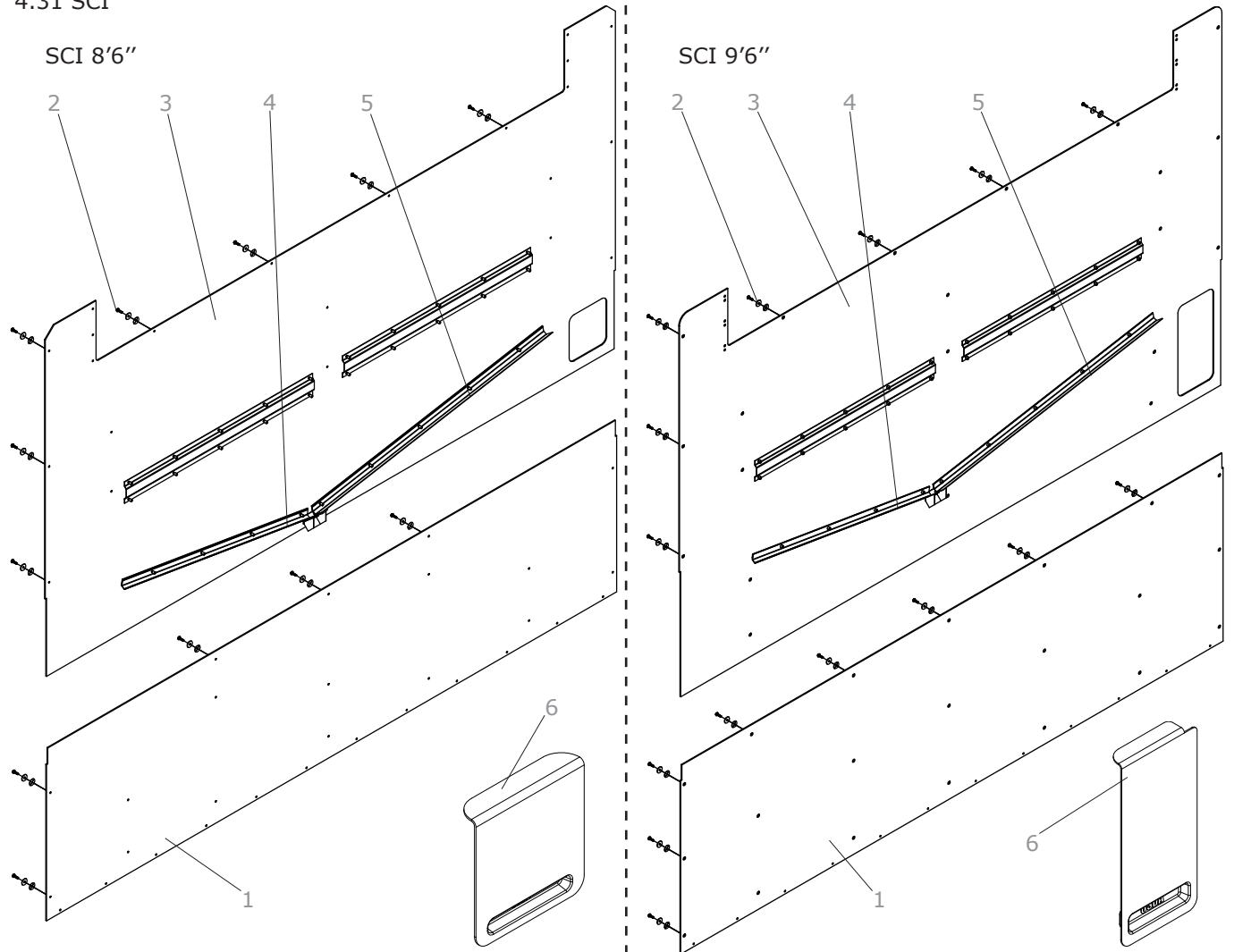
Pos.	Item	Item no.
1	Motor, evaporator fan	819589C
2	Fan blade, evaporator	819542C
3	Motor bracket, evap. fan	811537D
4	Mount plate top, evap. fans	811504C
5	Cable gland, M12	819572B
6	Fan grill, evaporator	811506B
-	Motor cable, adapter kit	818202A
-	Service kit, evaporator motor	818230B



Pos.	Item	Item no.
1	Defrost heater, evaporator	811523B
2	Evaporator coil	811524C
3	Cable gland, M32	819650B
4	Cover, PVC	811550B
5	Pipe, Evap. liquid (SCU)	815561C
5	Pipe, Evap. liquid (SCI 8'6")	815561E
5	Pipe, Evap. liquid (SCI 9'6")	815561F
6	Pipe, Evap. suction (SCU)	815215B
6	Pipe, evap. suction (SCI 9'6")	815215D
6	Pipe, evap. Suction (SCI 8'6")	815215E



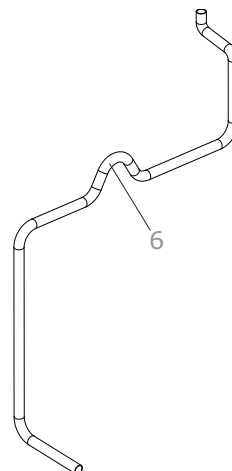
4.31 SCI



Pos.	Item	Item no.
1	Cover plate, back (SCI 8'6")	815514E
2	Screw and washer kit (100 pcs)	818265B
3	Back plate, evap (SCI 8'6")	811204E
4	Drain gutter, right	811517B
5	Drain gutter, left	811518B
-	Decal, USDA sensor placement	815590B
6	USDA, cover 8'6"	815653C
-	Rivets, 4.8 mm (100 pcs)	818266B
-	Spacer for Air Guide Hinge	815653B

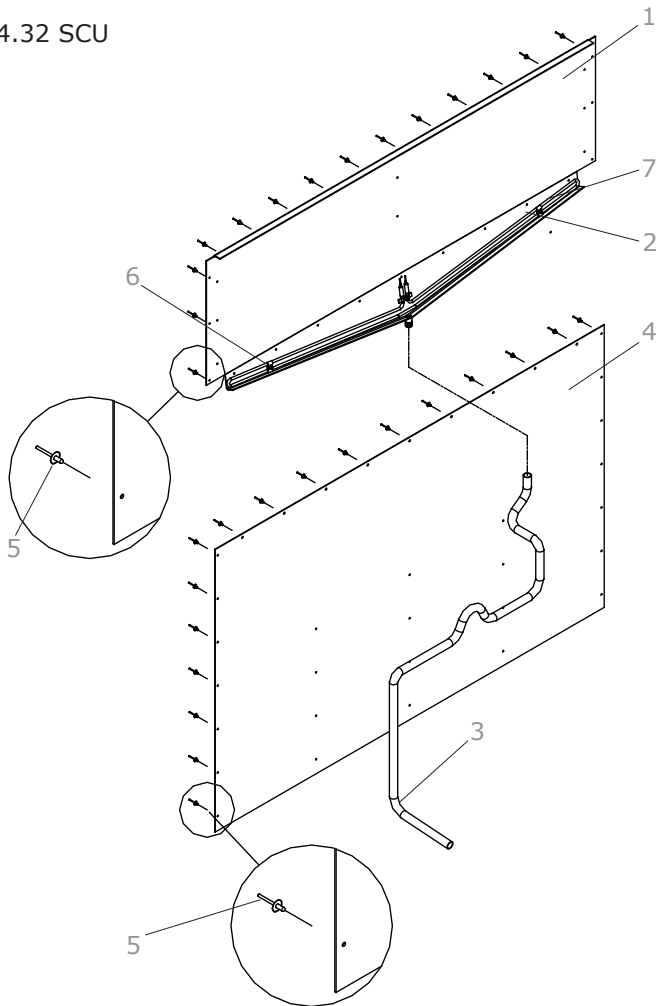
Pos.	Item	Item no.
1	Cover plate, back (SCI 9'6")	815514D
2	Screw and washer kit (100 pcs)	818265B
3	Back plate, evap (SCI 9'6")	811204D
4	Drain gutter, right	811517B
5	Drain gutter, left	811518B
-	Decal, USDA sensor placement	815590B
6	USDA, cover 9'6"	815653B
-	Rivets, 4.8 mm (100 pcs)	818266B
-	Spacer for Air Guide Hinge	815653B
-	Z-profile kit, SCI 9'6"	818338A

Pos.	Item	Item no.
6	Drain hose	815566C

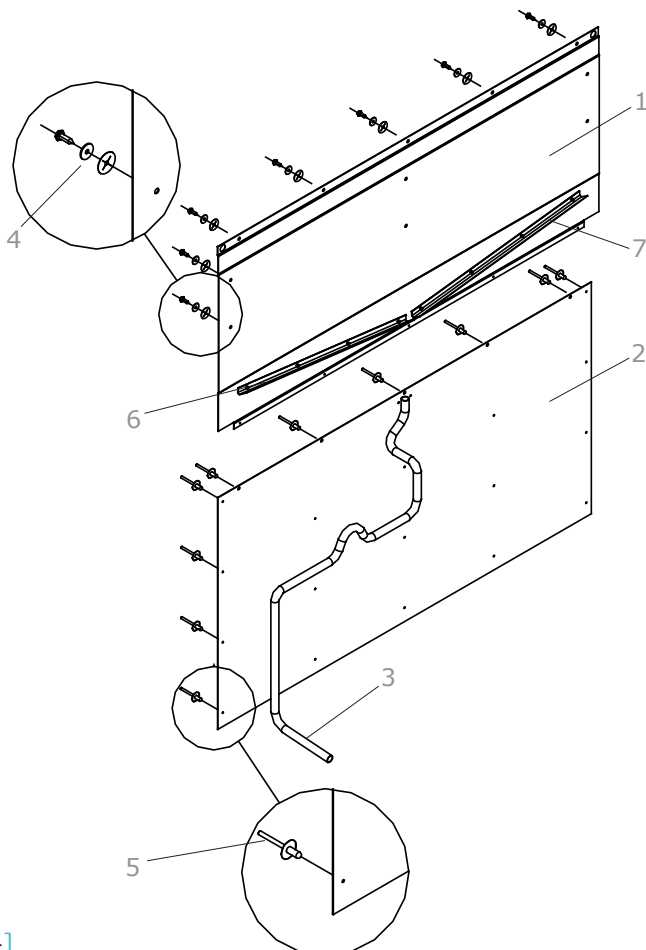




4.32 SCU



Pos.	Item	Item no.
1	Back plate, evaporator	811204B
2	Defrost heater, tray	811522B
3	Drain hose	815566B
4	Cover plate, back	815514B
-	Decal, USDA sensor placement	815590B
5	Rivets, 4.8 mm (100 pcs)	818266B
6	Drain gutter, right	811517B
7	Drain gutter, left	811518B

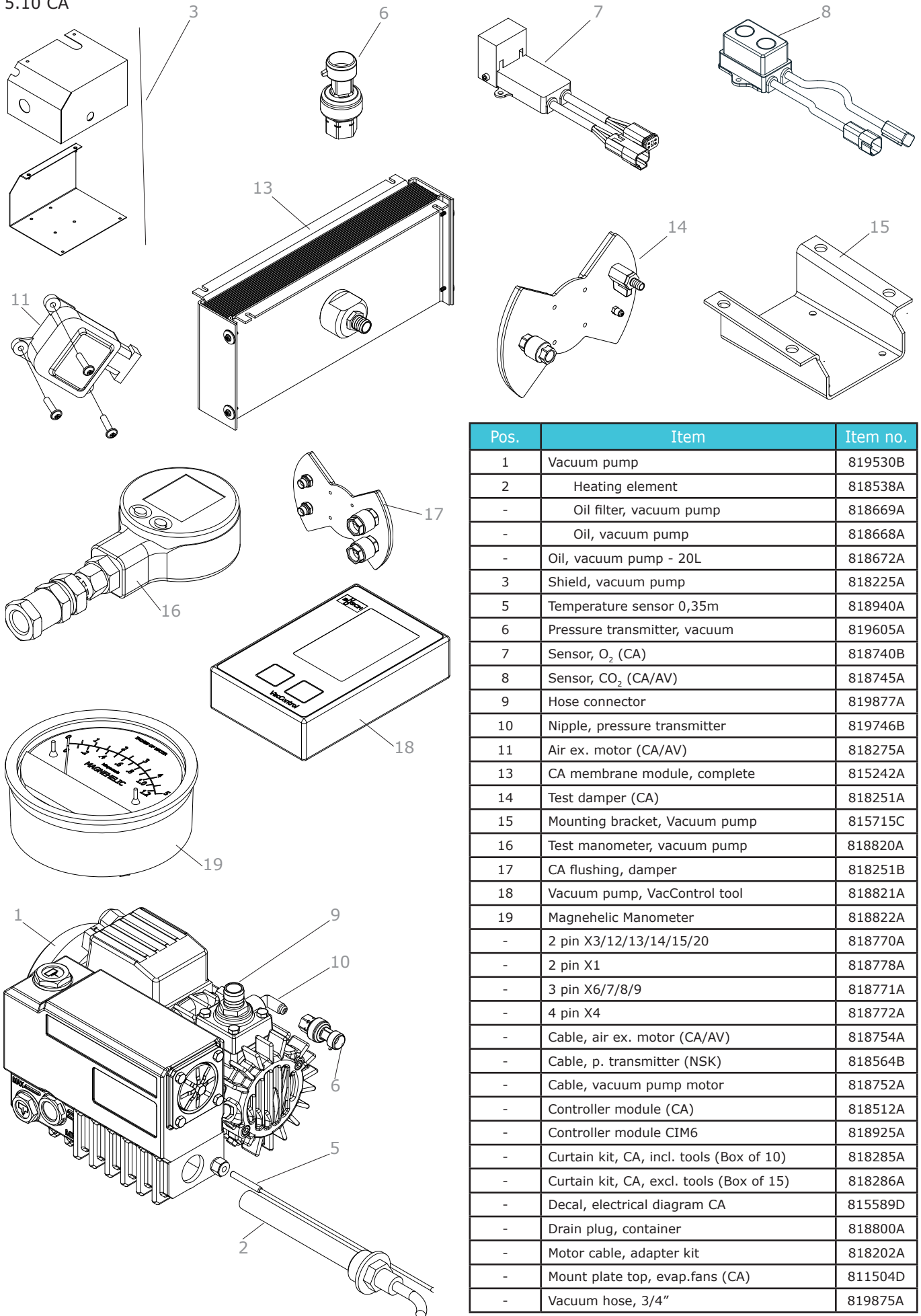


Pos.	Item	Item no.
1	Back plate, evaporator	811204C
2	Cover plate, back	815514C
-	Decal, USDA sensor placement	815590B
3	Drain hose	815566B
4	Screw and washer kit (100 pcs)	818265B
5	Rivets, 4.8 mm (100 pcs)	818266B
6	Drain gutter, right	811517B
7	Drain gutter, left	811518B
-	Z-profile kit, SCU	818336A

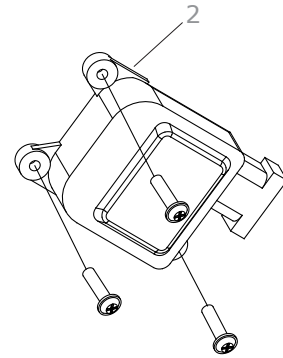
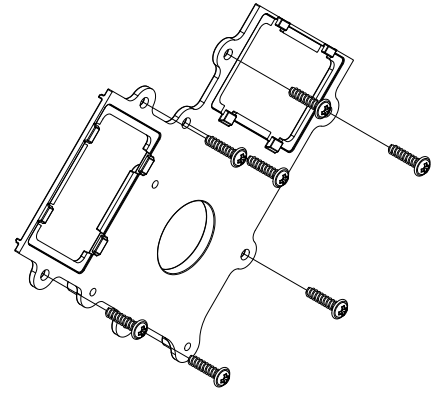
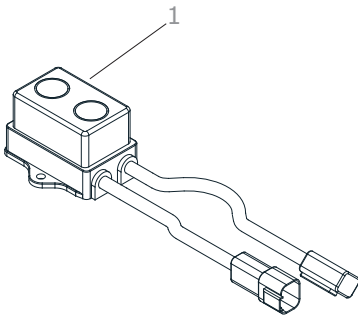
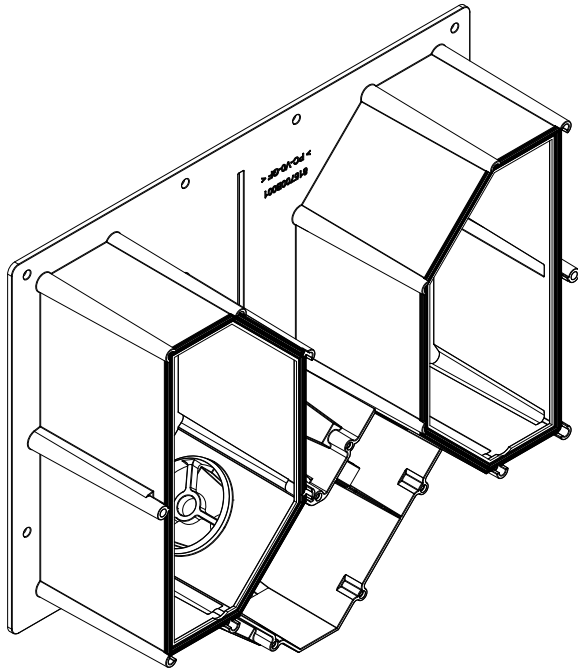




5.10 CA

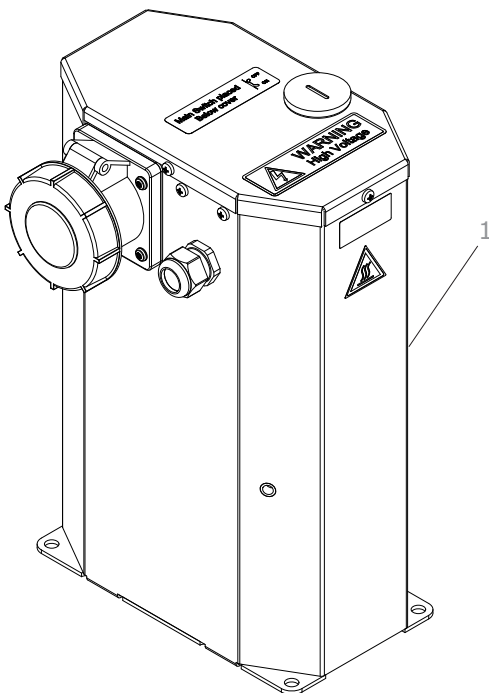


Pos.	Item	Item no.
1	Vacuum pump	819530B
2	Heating element	818538A
-	Oil filter, vacuum pump	818669A
-	Oil, vacuum pump	818668A
-	Oil, vacuum pump - 20L	818672A
3	Shield, vacuum pump	818225A
5	Temperature sensor 0,35m	818940A
6	Pressure transmitter, vacuum	819605A
7	Sensor, O <sub>2</sub> (CA)	818740B
8	Sensor, CO <sub>2</sub> (CA/AV)	818745A
9	Hose connector	819877A
10	Nipple, pressure transmitter	819746B
11	Air ex. motor (CA/AV)	818275A
13	CA membrane module, complete	815242A
14	Test damper (CA)	818251A
15	Mounting bracket, Vacuum pump	815715C
16	Test manometer, vacuum pump	818820A
17	CA flushing, damper	818251B
18	Vacuum pump, VacControl tool	818821A
19	Magnehelic Manometer	818822A
-	2 pin X3/12/13/14/15/20	818770A
-	2 pin X1	818778A
-	3 pin X6/7/8/9	818771A
-	4 pin X4	818772A
-	Cable, air ex. motor (CA/AV)	818754A
-	Cable, p. transmitter (NSK)	818564B
-	Cable, vacuum pump motor	818752A
-	Controller module (CA)	818512A
-	Controller module CIM6	818925A
-	Curtain kit, CA, incl. tools (Box of 10)	818285A
-	Curtain kit, CA, excl. tools (Box of 15)	818286A
-	Decal, electrical diagram CA	815589D
-	Drain plug, container	818800A
-	Motor cable, adapter kit	818202A
-	Mount plate top, evap.fans (CA)	811504D
-	Vacuum hose, 3/4"	819875A

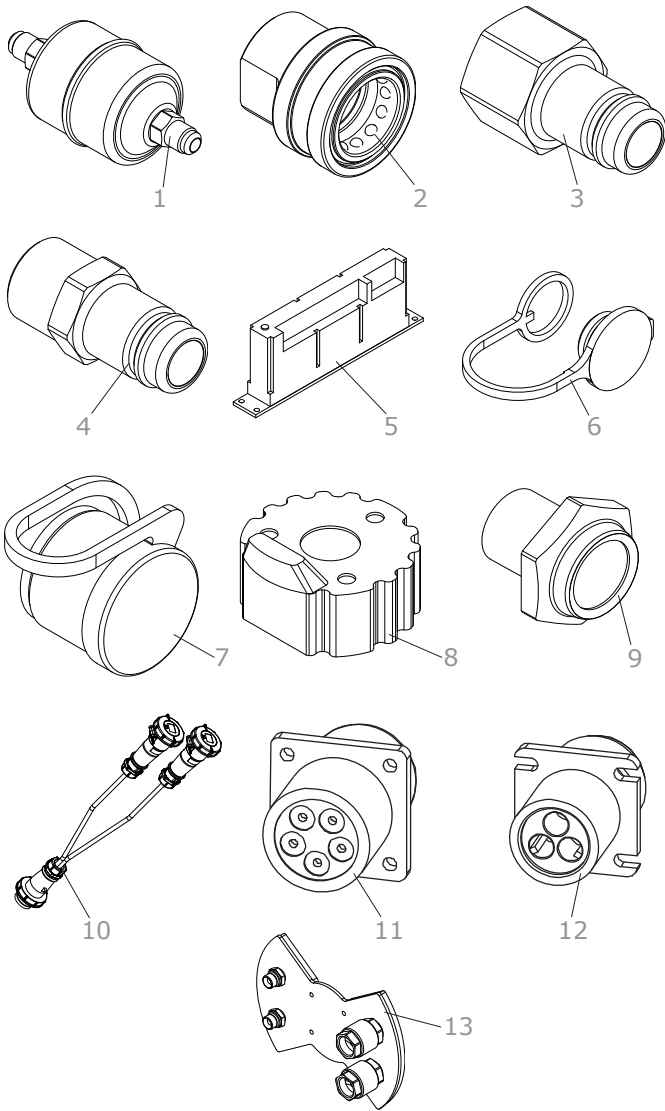


Pos.	Item	Item no.
1	Sensor, CO <sub>2</sub> (CA/AV)	818745A
2	Air ex. motor (CA/AV)	818275A
-	Cable, air ex. motor (CA/AV)	818754A

6.00 Dual voltage

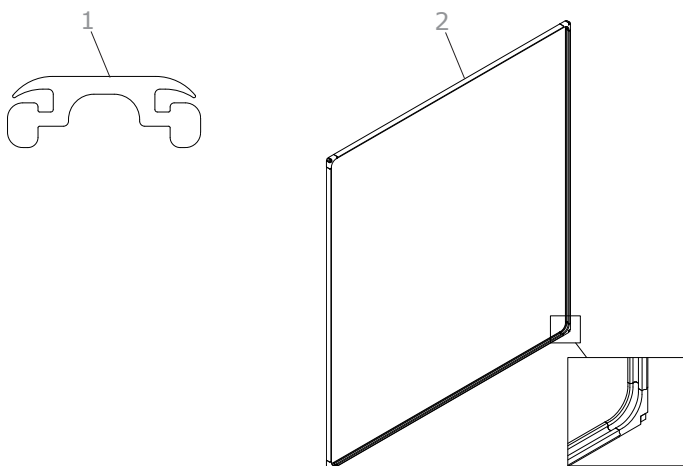


Pos.	Item	Item no.
1	Dual Voltage Transformer 15kVA	815255A



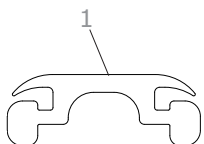
Pos.	Item	Item no.
1	Drying filter (box of 12 pcs)	819506A
2	Coupling WCC, female	819536C
3	Coupling WCC, male (SC only)	819537C
4	Coupling WCC, male	819545B
5	RMM module	819621B
6	Plug, water outlet coupling	819540B
7	Plug, water inlet coupling	819541B
8	USDA socket cap	819634A
9	Sight glass, receiver kit	818235B
10	CEE Power splitter, 2x16 Amp	818290A
11	Retriever socket	819595B
12	USDA socket	819633A
13	CA flushing, damper	818251B
-	Cable, data retrieval	818575A
-	Cable, data retrieval USB	818575D
-	Curtain kit, CA, incl. tools (Box of 10)	818285A
-	Curtain kit, CA, excl. tools (Box of 15)	818286A
-	Drain plug, container	818800A
-	Filter, Ethylene (box of 9 pcs)	818805B
-	Power cable, 4x4.0mm <sup>2</sup> 300ft	818830A
-	Power cable, 4x4.0mm <sup>2</sup> 1500ft	818831A
-	Power plug (Box of 10 pcs)	818559A
-	Power splitter	818290A
-	Probe PT100 4.4 mm	818556A
-	Retriever socket cap	819630B
-	Sensor NTC2.5 (box of 20)	818555B
-	Splice kit, power cable	818835A
-	Splice kit (box of 25 pcs)	818837A

9.50 Container box parts for SCI



Pos.	Item	Item no.
1	EPDM hinge	7814585B
2	EPDM Curtain Track	7802009A
-	Front baffle plate, SCI	7231327
-	Front baffle retainer, SCI	7572200B

9.70 Container box parts for SCU



Pos.	Item	Item no.
1	EPDM hinge	7814585B
-	Front baffle plate, SCU	7231325
-	Front baffle retainer, SCU	7572203B



## 24-hour hotline support

Call us at +45 7364 3500 or send us an e-mail at [service@starcool.com](mailto:service@starcool.com). Our service department is available 24 hours a day, 7 days a week - providing easy access to the answers you need.

For further troubleshooting help, go to our website URL: [m.starcool.com](http://m.starcool.com) or simply scan the QR code with your smartphone



## Guideline: Order procedure

Purchase spare parts for the Star Cool reefer machine fast and reliable via the internet.

Customers, service providers and other repair shops order directly from Star Cool. Vessels must contact the relevant customer (shipping line) for ordering.

All orders are to be placed on Star Cool e-Business. Our staff will send out the ordered parts through the distribution centre located nearest to the desired delivery address.

Please kindly register at [www.mcicontainers.com](http://www.mcicontainers.com), in order to be able to purchase spare parts from Star Cool e-Business.

Should you have any problems on registration or receiving login and password, please contact [sales@starcool.com](mailto:sales@starcool.com). Further, if you have any inquiries regarding your orders, please contact Sales department at [sales@starcool.com](mailto:sales@starcool.com); or questions regarding the spare parts, contact service department [service@starcool.com](mailto:service@starcool.com).

Bjerndrupvej 47  
6360 Tinglev, Denmark  
Phone: +45 73 64 34 00  
Fax.: +45 73 64 35 69  
E-mail: [sales@starcool.com](mailto:sales@starcool.com)  
[www.mcicontainers.com](http://www.mcicontainers.com)

**STAR COOL**  
... Cool Thinking!